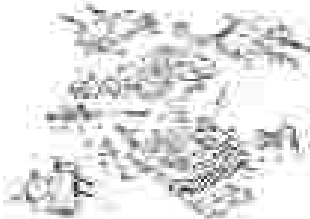
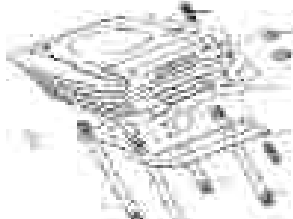


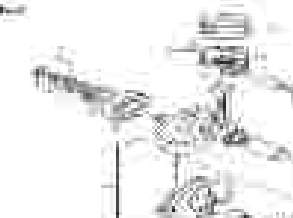







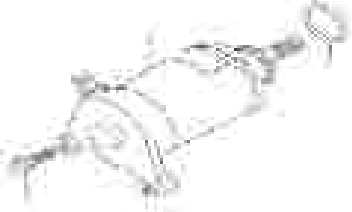

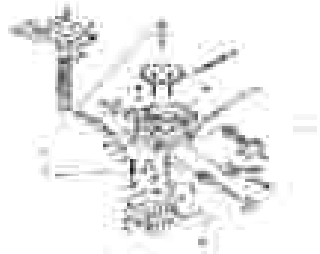
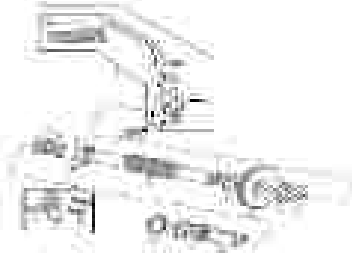


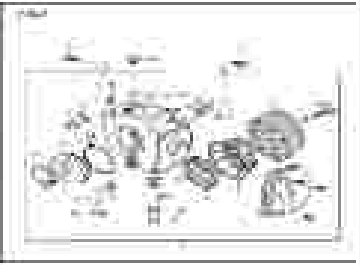

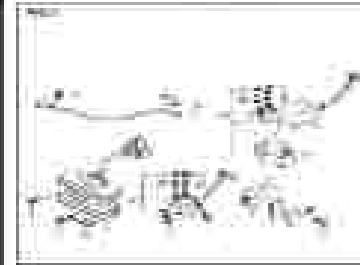
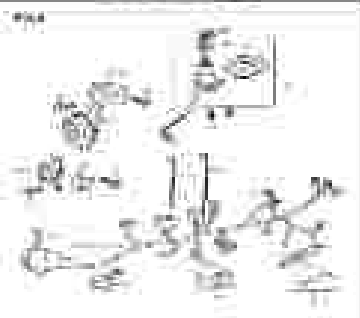
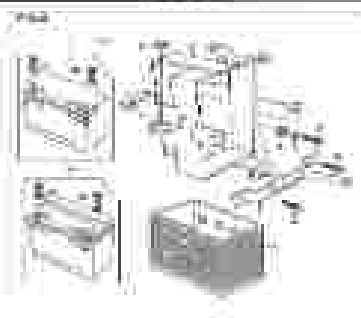
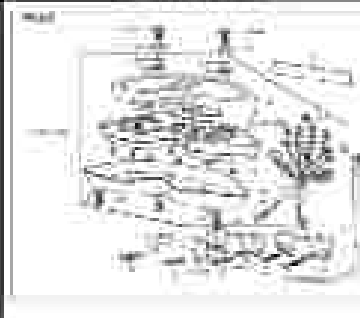
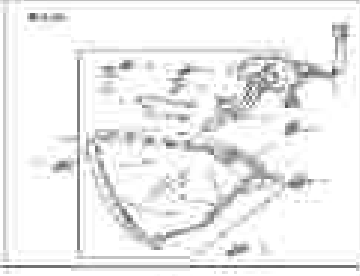


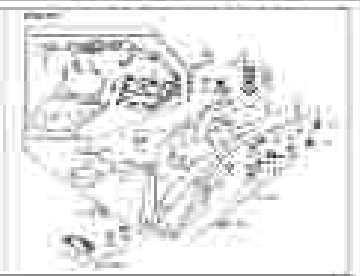
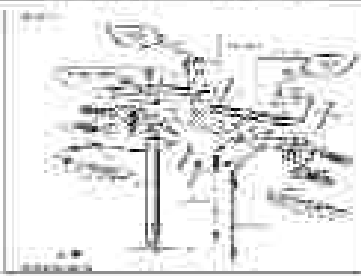
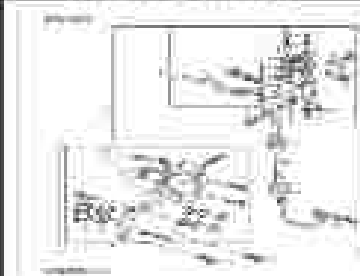
CONTENTS—ENGINE GROUP

E01 CYLINDERHEAD	E02 CYLINDER	E03 CRANKCASE
		
E04 CRANKCASECOVER	E05 CRANKSHAFT	E06 STARTERCLUCH
		
E07 CAMSHAFT VALVE	E08 CAMCHAIN	E09 OILPUMP
		
E10 CLUTCH	E11 TRANSMISSION	E12 GEARSHIFTING
		




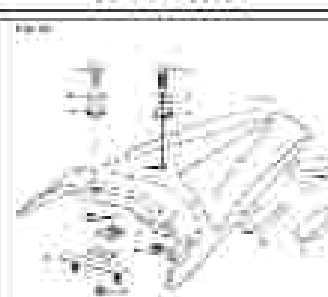
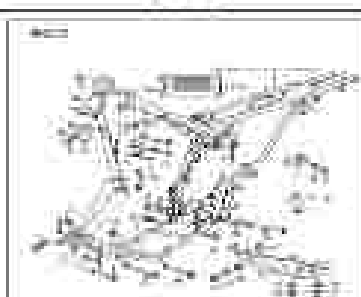
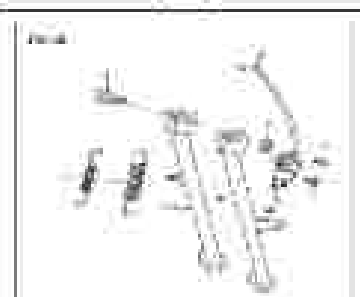

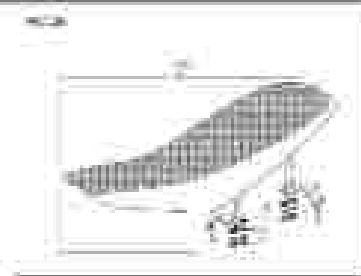

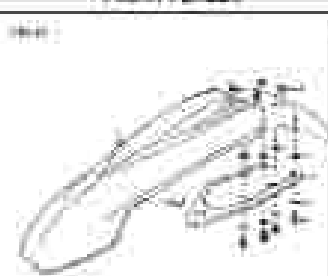


CONTENTS—ENGINE GROUP

E13 STARTING MOTOR	E14 ELECTRICAL	E15 CAPACITORS
		
E16 IGNITION STARTER		
		

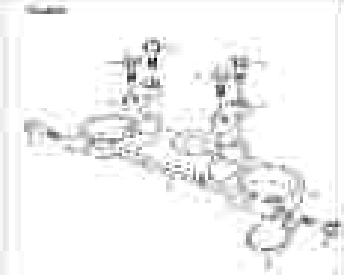

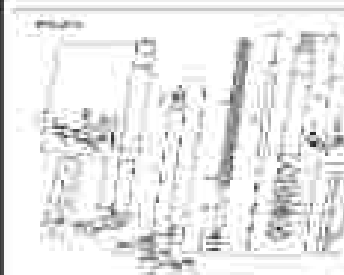

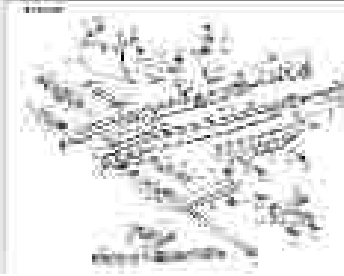


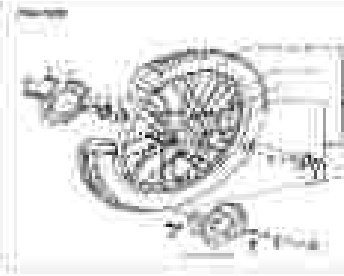


CONTENTS—FRAME GROUP

F02 AIR CLEANER	F03 MUFFLER	F04 ELECTRICAL
		
F05 WIRING HARNESS	F06 BATTERY	F07 SPEEDOMETER
		
F08 (2ND VERSION) HEADLAMP	F08 (1ST VERSION) HEADLAMP	F09 TURN SIGNAL LAMP
		
F10 REAR COUSINATION LAMP	F11 HANDLE BAR/HANDLE SWITCH	F12 FRONT DISK BRAKE Assy
		

CONTENTS—FRAME GROUP

F13 COUPLING	F14 FUEL TANK COVER	F15 FRAME COVER
		
F16 SEAT TAIL COVER	F17 FRAME	F18 STAND
		
F19 FUEL TANK	F20 PILLOW RIDER	F21 CARRIER COMP. REAR
		
F22 FRONT FENDER	F23 REAR FENDER	F24 FOOTREST
		

CONTENTS—FRAME GROUP

<p style="text-align: center;">F25 HEAD STEERING STEM</p>	<p style="text-align: center;">F26 STEERING STEM</p>	<p style="text-align: center;">F27 FRONT DAMPER</p>
		
<p style="text-align: center;">F28 REAR SHOCK ABSORBER</p>	<p style="text-align: center;">F29 REAR SWAYING ARM</p>	<p style="text-align: center;">F30 REAR BRAKE</p>
		
<p style="text-align: center;">F31 FRONT WHEEL</p>	<p style="text-align: center;">F32 REAR WHEEL</p>	<p style="text-align: center;">F33 KIT TOOLS</p>
		
<p style="text-align: center;">F34 OIL RADIATOR ASSY</p>		
		

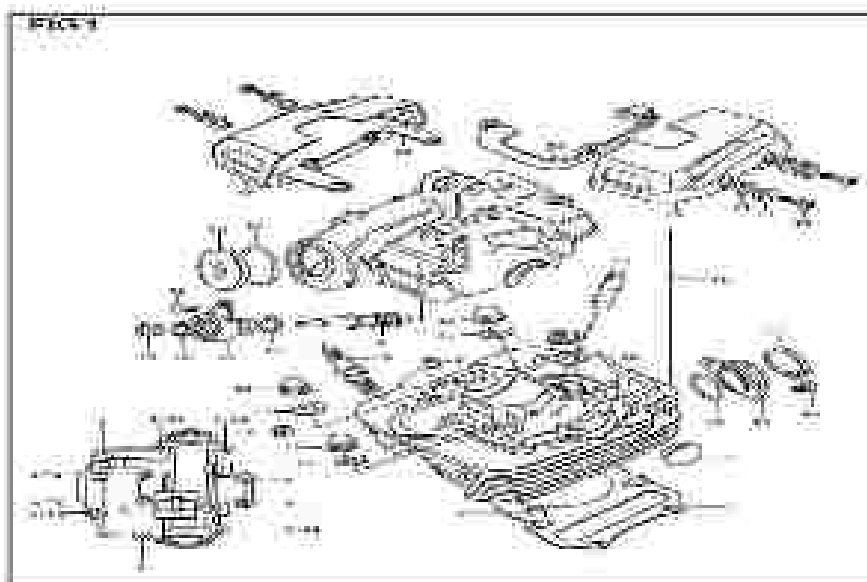
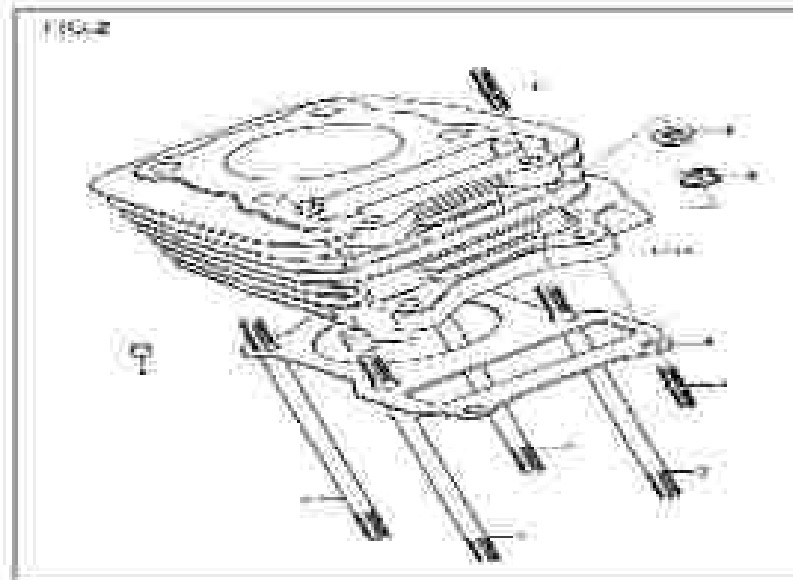


FIG. 1	E01		E01	
FIG. 1	CYLINDERHEAD			
Part No.	Part No.	Description	Qty	Remarks
E0-34	11110700700-000	ヘッドカバー	1	取付位置参照
E0-3	04040000000	プラグ	1	
E0-4	04000000000	バルブシール	2	
E0-5	01104000000	バルブヘッド	2	
E0-6	02304000000	バルブヘッド	2	
E0-7	11140000700	ヘッドシリンダー	2	
E0-8	04000000000	ピストン	2	
E0-9	04100000000	シム	2	
E0-10	11151000000	クランク	1	
E0-11	04100000000	ナット	1	
E0-12	04100000000	ワッシャー	4	
E0-13	04100000000	ナット	2	
E0-14	04000000000	ソケット	2	取付位置参照
E0-15	11175000000-000	ガスケット	2	取付位置参照
E0-16	04000000000	O-Ring	2	
E0-17	04000000000	O-Ring	2	
E0-18	04000000000	O-Ring	2	
E0-19	04000000000	O-Ring	2	
E0-20	04000000000	クランク	1	
E0-21	11110000700	ヘッドシリンダー	2	
E0-22	04000000000	O-Ring	2	
E0-23	04000000000	バルブヘッド	2	

CYLINDER

E02



Part No.	Part No.	Description	QTY	Notes
E1.1	11150007028-304	CYLINDER	1	
E1.2	0910000000004	STUD BOLT L188	2	
E1.3	0910000000005	STUD BOLT L185	2	
E1.4	0910000000001	STUD BOLT L184	4	
E1.5	0540400110001	NUT M8	4	
E1.6	1114100070000	SLEEVE CYLINDER	1	
E1.7	0910000110004	WASHER	2	
E1.8	1115000100000	RUBBER PAD	4	

CRANKCASE

E03

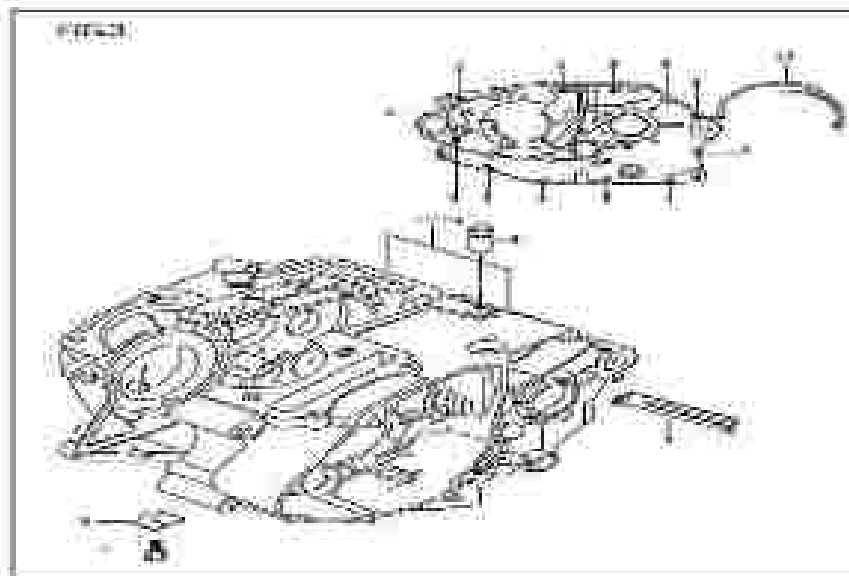


FIG. 1

03

03

FIG. 1

CRANKCASE

03

03

CRANKCASE

03

03

Ref. No.

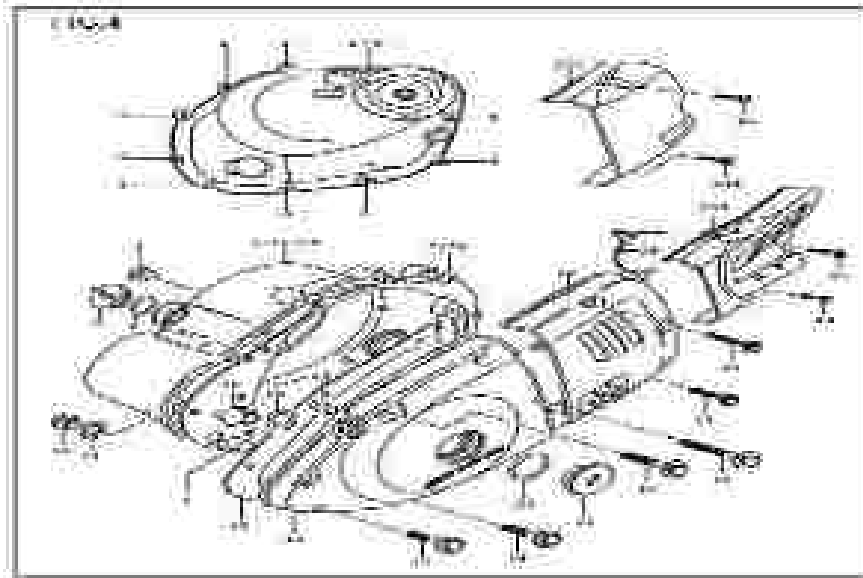
Part No.

Description

Qty

Remarks

E3-1	05200110000	052001-00	Fr. 05-00	2	
E3-2A	115001007010-00B	052001-00	Crankcase act.	1	100001-00
E3-3	01104000000	052001-00	Bolt M8x55	4	052001-00
E3-4	01104000000	052001-00	Bolt M8x50	4	052001-00
E3-5	02104000070	052001-00	Bolt M8x75	4	052001-00
E3-6	11510001000	052001-00	Plate	2	
E3-7	01704000000	052001-00	Bolt M8x30	2	
E3-8	05404000000	052001-00	Oil	2	
E3-9	05004012000	052001-00	Wash. brush	2	
E3-10	03000100100	052001-00	Last wire	2	
E3-11	11554001000	052001-00		2	



圖號	名稱	說明	單位	備註	
Part No.	Part No.	Description	Qty	Remarks	
E4-18	115490W1830-009	蓋子聯合螺絲鎖母	Cover lock	1	1830
E4-2	115710W01000	內蓋螺絲鎖母	Lock oil head	1	
E4-34	114810W01070	蓋子內蓋螺絲鎖母	Basket, inside cover	1	1830
E4-4	091000138800	墊片墊圈 O-Ring	Flt. O-Ring	1	
E4-5	09100006100	墊片墊圈	gasket	1	
E4-6	021040080005	螺絲 M8×20	Bolt M8×20	5	
E4-7	021040080405	螺絲 M8×45	Bolt M8×45	1	
E4-8	091000000000	內蓋入口螺絲	Plug oil filter	1	
E4-9	091000080001	螺絲	O-Ring	1	
E4-10	091040140000	螺絲	Plug oil check	1	
E4-11	091000030001	蓋子螺絲	Basket	1	
E4-12	115510W01000-009	蓋子螺絲鎖母	Cover magnets	1	
E4-13	114830W010000	蓋子螺絲鎖母	Basket magnets cover	1	同左
E4-14	091040080001	螺絲 M8×12	Flt. 8×12	1	
E4-15	021040080005	螺絲 M8×20	Bolt M8×20	1	
E4-16	021040080005	螺絲 M8×25	Bolt M8×25	1	
E4-17	021040080005	螺絲 M8×40	Bolt M8×40	1	
E4-18	021040080005	螺絲 M8×50	Bolt M8×50	1	
E4-19	091040120000	螺絲 M12×10	Plug T.O.C M12×10	1	
E4-20	091000110001	蓋子螺絲	Basket	1	
E4-21	115500W01000-009	螺絲	Plug	1	同左
E4-22	091000020001	螺絲	O-Ring	1	
E4-28	115510W01010-009	蓋子螺絲鎖母	Cover angle bracket	1	同左
E4-24	021040080005	螺絲 M8×25	Bolt M8×25	1	
E4-25	021040080005	螺絲 M8×25	Bolt M8×25	1	
E4-28	091000000000	螺絲螺絲	Retainer	1	同左

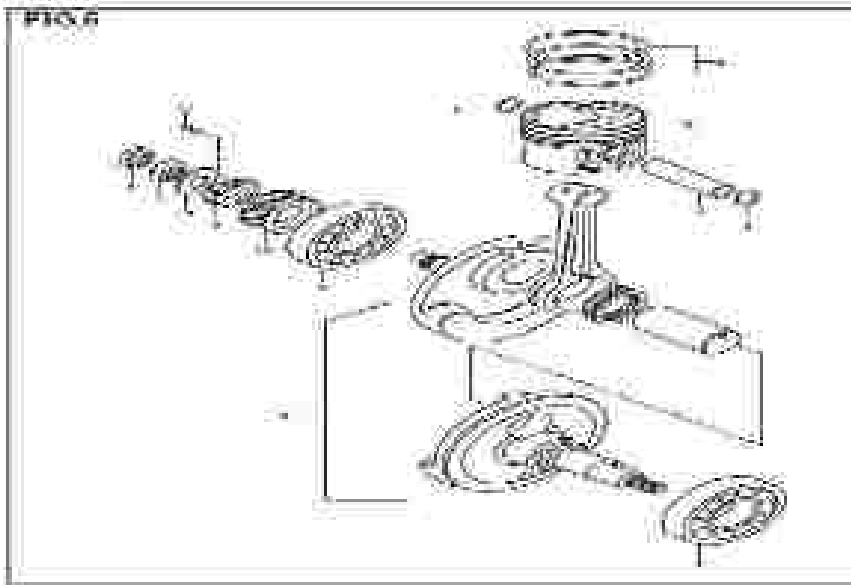
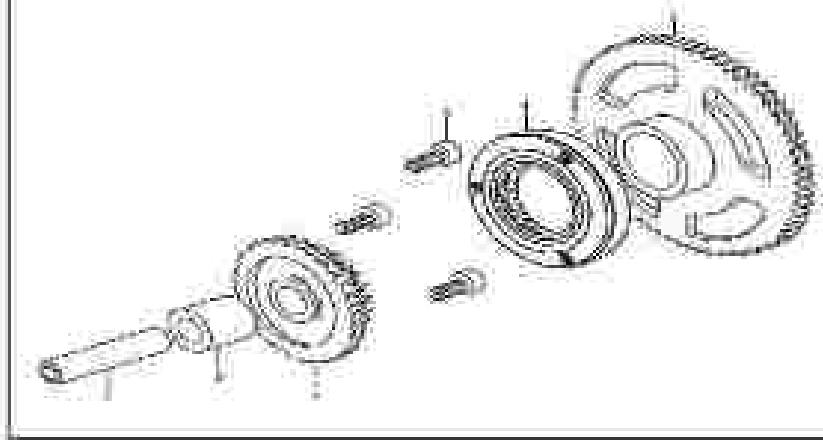


FIG. 5	CRANKSHAFT		QTY	REMARKS
FIG. 6	Part No.	Description	QTY	REMARKS
ES-1	122500407000	CRANKSHAFT	1	
ES-2	111110407000	FLY	1	
ES-3	111400407010	CONNECTING ROD	1	
ES-4	111510407000	PISTON	1	
ES-5	033210120001	CRANK PIN	1	
ES-6	022000120001	CONNECTING ROD	1	
ES-7	033200120002	CONNECTING ROD	1	
ES-8	033200120001	CONNECTING ROD	1	
ES-9	123210407000	CRANK PIN	1	
ES-10	111110407000	FLY	1	
ES-11	041400120001	CONNECTING ROD	1	
ES-12	031200120001	CONNECTING ROD	1	
ES-13	040210407001	FLY	1	

FIG.6



FILE

E06

STARTERCLUTCH

FILE

STARTERCLUTCH

FILE

STARTERCLUTCH

Ref. No.

Part No.

Description

Qty

Remarks

E01

128110M7000

STARTERCLUTCH

Over starter dia

1

E02

002000100004

SCREW

Pin

1

E03

001000100001

SCREW

Spacer

1

E04

128000M7000

STARTERCLUTCH

Over starter dia

1

ONE WAY BEARING

E05

008100005004

SCREW 1/8x1.5

SCREW 1/8x1.5

3

E06

128200M7000

STARTERCLUTCH

Over starter assy

1

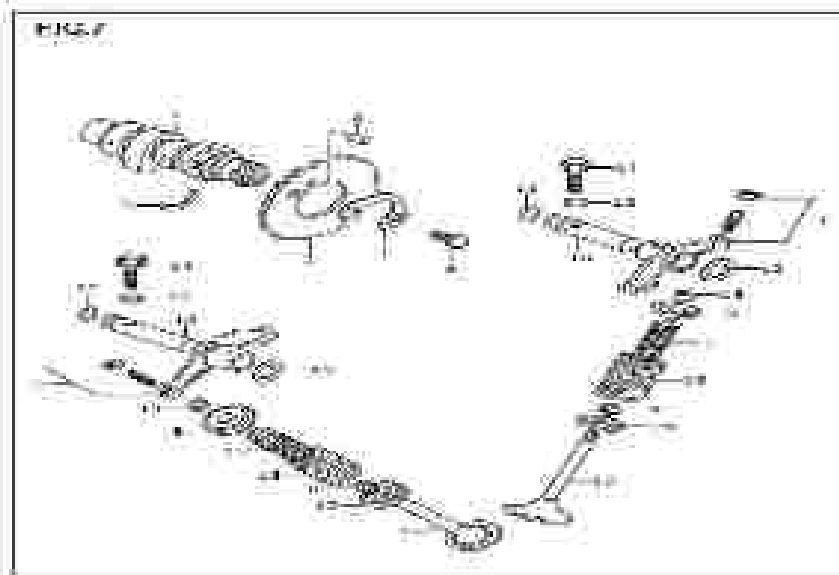
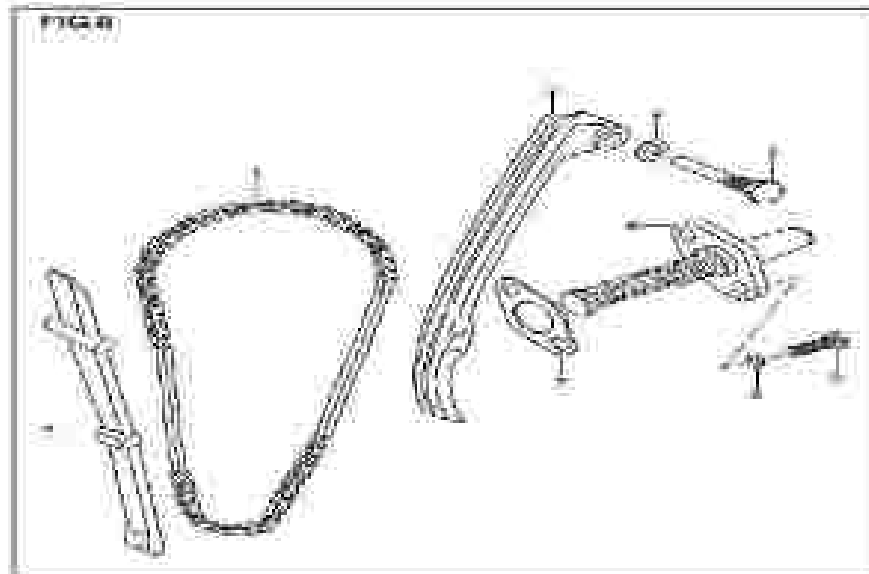


FIG. 7	CAMSHAFT-VALVE			
FIG. 7	Part No.	Description	QTY	Remarks
ET-1	127110K01000	127110	Cam shaft	1
ET-2	127410K01000	127410	Sprocket	1
ET-3	090000K00000	090000	Pushrod	4
ET-4	127470K01000	127470	Wrist	1
ET-5	091200K00000	091200-005	Bucket-MB-05	4
ET-6	091300K00000	091300	G-Ring	2
ET-7	129400K01000	129400	Shim	2
ET-8	090000K00007	090000	Shim	2
ET-9	129110K01000	129110	Retainer, spring	1
ET-10	118810K01000	118810	Shaft, rocker arm	2
ET-11	091300K00000	091300	G-Ring	2
ET-12	091340K00000	091340	Wave washer	2
ET-13	091350K00007	091350	Shim	2
ET-14	091350K00000	091350-005	Shim-MB-05	2
ET-15	129110K01000	129110	Valve, intake	1
ET-16	129110K01000	129110	Valve, exhaust	1
ET-17	129110K01000	129110	Spring, valve inner	2
ET-18	129110K01000	129110	Spring, valve outer	2
ET-19	129110K01000	129110	Collar, valve	4
ET-20	129330K01000	129330	Seat, spring	2



FILE	FILE	FILE	FILE	FILE
08	08	08	08	08
08	08	08	08	08
Ref No	Part No.	Description	Qty	Ref No
ES-1	117800M07000	Chain, cam shaft drive	1	
ES-2	117710M03000	Guide, cam chain	1	
ES-3	118110M07000	Tensioner, cam chain	1	
ES-4	118130M01000-028	Bolt M 8-35 8	1	08-08
ES-5	091880088808	Washer	1	
ES-6	118000M07000-028	Adjuster cam tensioner	1	08-08
ES-7	118870H01000	Roller, 40x20x8	1	08-08
ES-8	016040160100	Bolt M8-20	1	
ES-9	064200021088	Spring washer	1	

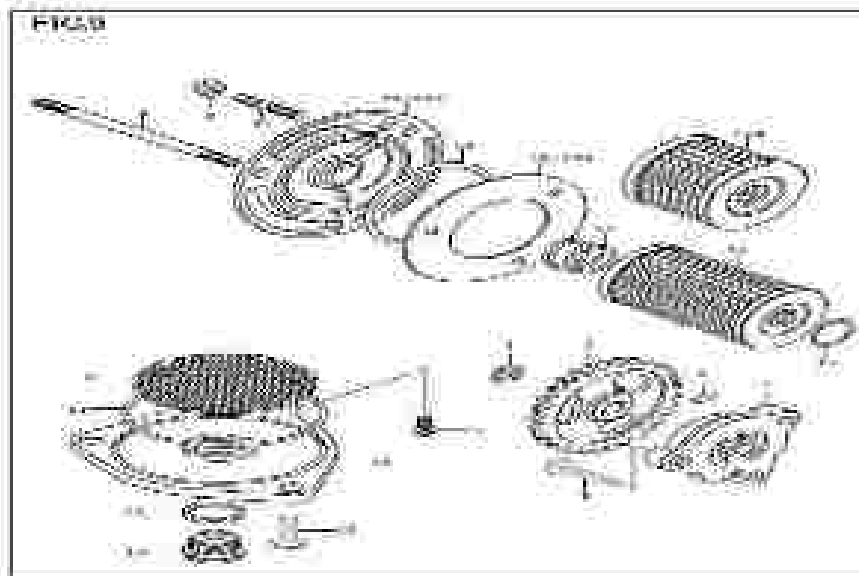


FIG. 9	OILPUMP				
Part No.	Part No.	Description	QTY	REMARKS	
ES-2	184000011800	飞轮齿圈	1		
ES-3	1833100013000	飞轮齿圈	1		
ES-3	0929100000000	轴套	2		
ES-4	0933000000001	轴套	1		
ES-5	0341400000001	轴套 MS-12	2	05	
ES-6	183300011800	飞轮齿圈	1		
ES-7	0341400000001	轴套 MS-12	2		
ES-8	0101400000001	轴套 MS-05	1		
ES-9	054000011800	轴套 MS-05	1		
ES-10	1833100013000	轴套	1		
ES-11	0929000000001	轴套	1		
ES-12	0120400000001	轴套 MS-05	1	05	
ES-13	0914701400004	轴套	1		
ES-14	0913501300001	轴套	1		
ES-13A	1833100013000	飞轮齿圈	1	0505	
ES-15	0929000000001	轴套 MS-05	1		
ES-17	0544001300004	轴套	1		
ES-13A	1833100013000	飞轮齿圈	1	0505	
ES-15	0929000000001	轴套	1		
ES-20	1833100013000	飞轮齿圈	1	0505	
ES-21	0101400000001	轴套 MS-05	1		

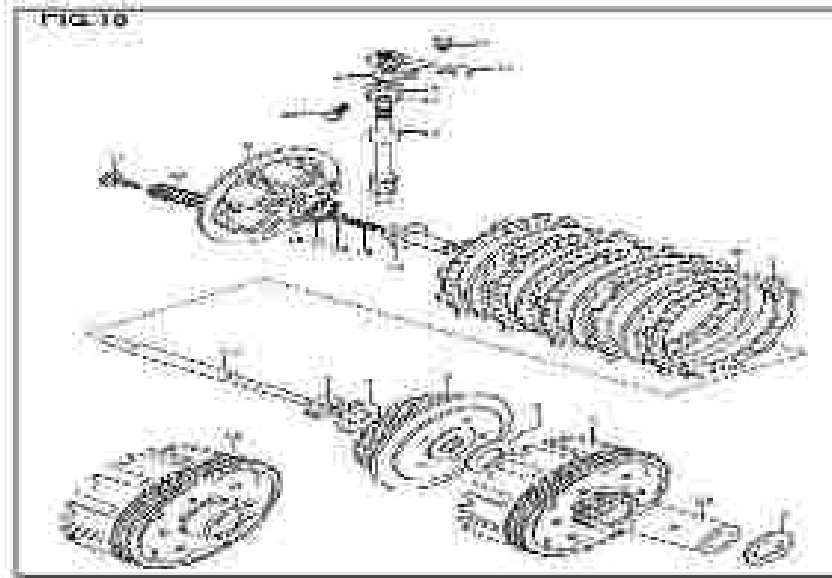


FIG. 10	圖 10		圖 10		圖 10	圖 10
FIG. 10	CLUTCH		CLUTCH		FIG.	FIG.
FIG.	FIG.	FIG.	FIG.	FIG.	FIG.	FIG.
Ref. No.	Part No.	Description	Description	Qty.	Ref. No.	
E10-1	212000007000	离合器轴总成	Shaft Assy, primary drive	1	212000007000	
E10-2	002010008011	平垫圈	Washer	1		
E10-3	212110007000	离合器压盘	Plat. drive	1	212110007000	
E10-4	001400008005	衬套	Nut M18	1		
E10-5	001000008002	衬套	Lock washer	1		
E10-6	002010008011	平垫圈	Washer	1		
E10-7	212110001000	离合器压盘	Plat. drive	3	212110001000	
E10-8	212110007000	离合器压盘	Plat. drive	3	212110007000	
E10-9	212000001000	离合器压盘	Clutch pressure	1	212000001000	
E10-10	004000008002	弹簧	Spring	3		
E10-11	001100008011	螺母 M18	Nut M18	3		
E10-12	201100001000	离合器压盘	Plat. drive	1		
E10-13	201110001000	离合器压盘	Plat. drive	1		
E10-14	201100001000	离合器压盘	Plat. drive	1		
E10-15	002010008011	平垫圈	Washer	1		
E10-16	002010008011	平垫圈	Washer	1		
E10-17	002000008007	离合器压盘	Thrust bearing	1		
E10-18	002000008014	螺母	Oil seal	1		
E10-19	212110001000	离合器压盘	Screw M18-25	1	212110001000	
E10-20	201110001000	离合器压盘	Nut M18	1	201110001000	
E10-21	101110001000	离合器压盘	Arm, release	1		
E10-22	002000001000	离合器压盘	Screw M18-25	1		
E10-23	001240008007	十字花头螺钉	Screw	1	001240008007	
E10-24	212110001000-001	离合器压盘	Washer	1	212110001000	
E10-25	212110001000	离合器压盘	Spacer	1		

TRANSMISSION

E11

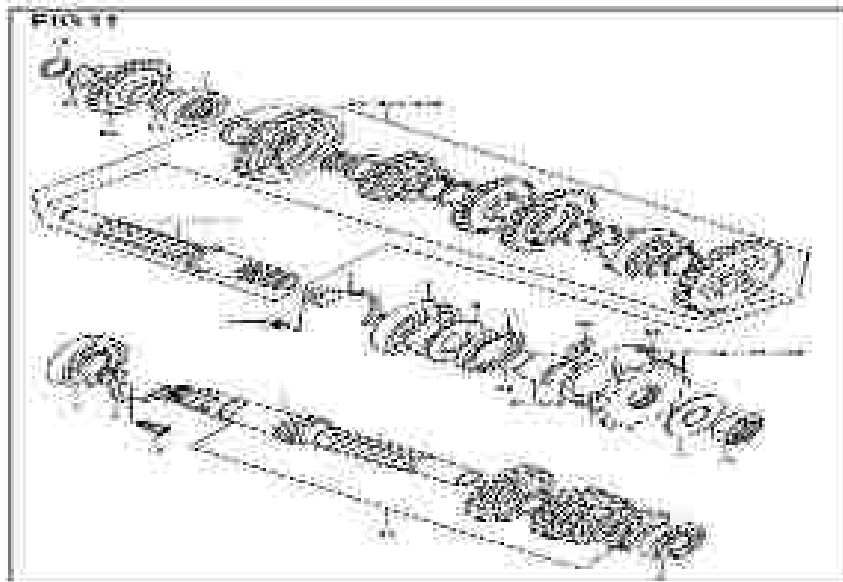


FIG. 11	E11				
TRANSMISSION					
Ref. No.	Part No.	Description	Qty	Remarks	
E11.1	241210/M07000	Shaft	Countershaft	1	174
E11.2	331830/330804	Washer	Washer	1	
E11.3	090890/170800	Bushing	Bearing BR	1	
E11.4	053100/190410	Oil	Bearing LH	1	05/20 F-621
E11.5	247430/M01000	Holder	Holder, bearing	1	
E11.6	094340/090111	Pin	Scow MS-12	2	08
E11.7	092890/330808	Bushing	Bearing BR	1	030408
E11.8	053300/090800	Oil	Bearing LH	1	0000J
E11.9	247430/M01000	Holder	Holder, bearing	1	
E11.10	094340/090111	Pin	Scow MS-12	2	08
E11.11	092890/330804	Bushing	Oil seal, LH	1	27-4875
E11.12	247530/M01000	Holder	Holder oil seal	1	02
E11.13	017040/090101	Pin	Sh MS-33	2	
E11.14	091810/150807	Washer	Washer	1	
E11.15	094300/021158	Pin	Scow 15	1	
E11.16	175110/M07138	Shaft	Shaft MT - 12	1	0330/05
E11.17	111150/M07000	Washer	Washer	1	
E11.18	090890/170800	Bushing	Q-Ring 15*14	1	
E11.19	041400/180808	Pin	Kit MS-2.5	1	0309
E11.20	091870/220800	Washer	Washer	1	
E11.21	091810/150807	Washer	Washer	1	
E11.22	182900/M01000	Holder	Gear, oil	1	0309
E11.23A	241110/M07000	Shaft	Shaft	1	0330/05
E11.24	241200/M07000	Shaft	Countershaft	1	174
E11.25A	241300/M07138	Shaft	Shaft	1	0330/05

TRANSMISSION

E11

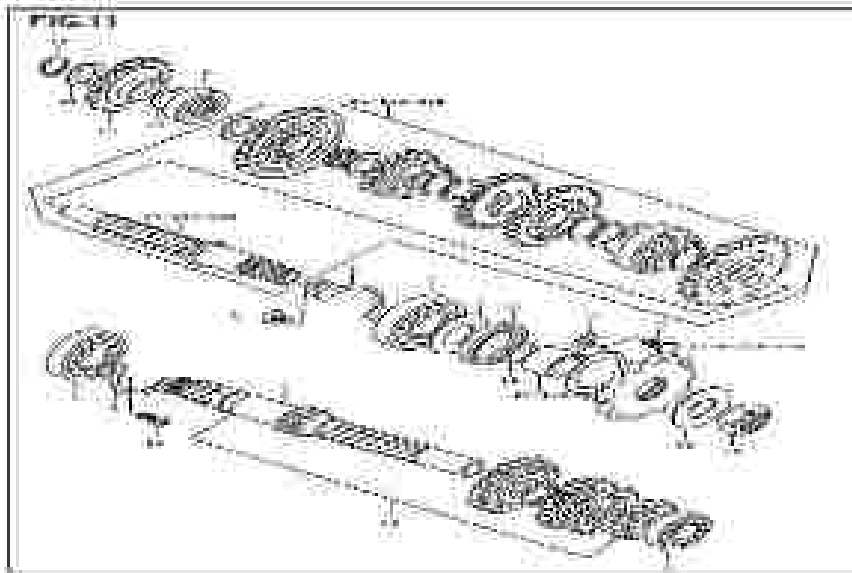


FIG. 11	FIG. 11	FIG. 11	FIG. 11	FIG. 11	
FIG. 11	FIG. 11	FIG. 11	FIG. 11	FIG. 11	
FIG. 11	FIG. 11	FIG. 11	FIG. 11	FIG. 11	
FIG. 11	FIG. 11	FIG. 11	FIG. 11	FIG. 11	
E11.04/254	240000007000	SHAFT	Countershaft Driveshaft SET	1	
E11.08	240010000000	FRONT END CASE	Gear 5 to 6 Gear	1	FRONT
E11.09	2400100007000	FRONT END CASE	Gear 4 to 5 Gear	1	FRONT

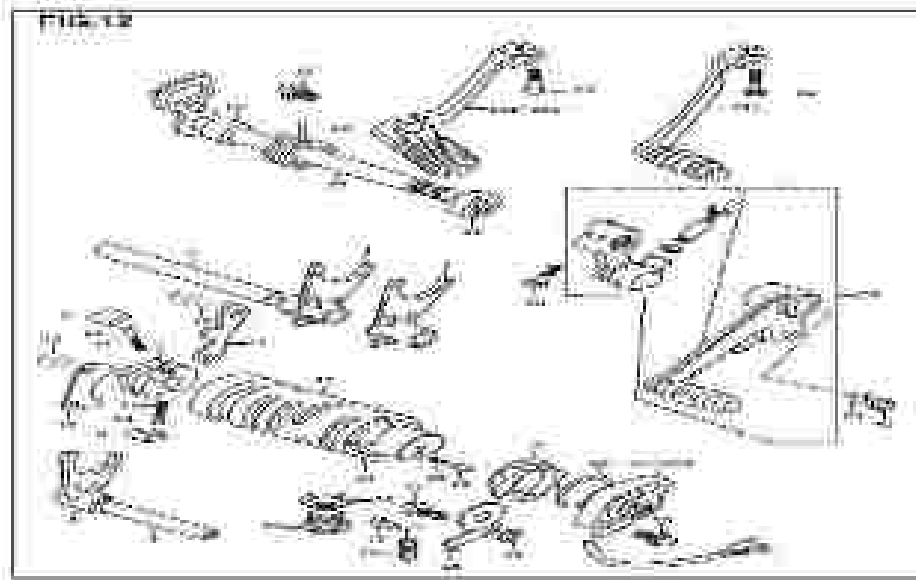


FIG. 12	GEARSHIFTING		QTY	REMARKS
REF. NO.	PART NO.	DESCRIPTION		
E12-1	252110M07000	FOUR	Fork, gear shifting (1)	
E12-2	252110M07000	FOUR	Fork, gear shifting (2)	
E12-3	252110M07000	FOUR	Fork, gear shifting (3)	
E12-4	254110M01000	FOUR	Shift fork (1)	
E12-5	254110M01000	FOUR	Shift fork (2)	
E12-6	253200M07000	ONE	Fork, throw	
E12-7	253200M01000	FOUR	Gear, cast steel	
E12-8	253200M01000	ONE	Fork (1)	
E12-9	253200M01000	ONE	Fork (2)	
E12-10	252100M06000	ONE	Fork	
E12-11	254400M04000	SPRING	Spring	
E12-12	253210M01000	ONE	LF fork, gear	
E12-13	034240M0111	SCREW	Screw M8x12	08
E12-14	253410M01000	ONE	Guide, cast	
E12-15	034240M0111	SCREW	Screw M8x12	08
E12-16	253200M07000	FOUR	Shifter, cast	
E12-17	031200M08011	SCREW	Bolt M8x11	
E12-18	031210M08001	WASHER	Washer	
E12-19	042210M04002	ONE	Hook	
E12-20	254400M03001	SPRING	Spring	
E12-21	277200M01000	SHIM	Terminal case shim	
E12-22	032300M06001	ORING	O-Ring 24x18x1	
E12-23	034140M03001	SCREW	Screw M5x20	08
E12-24	042210M04001	ONE	Hook	034-02, 077-0
E12-25	252470M03001	ONE	Plug, cast aluminum	

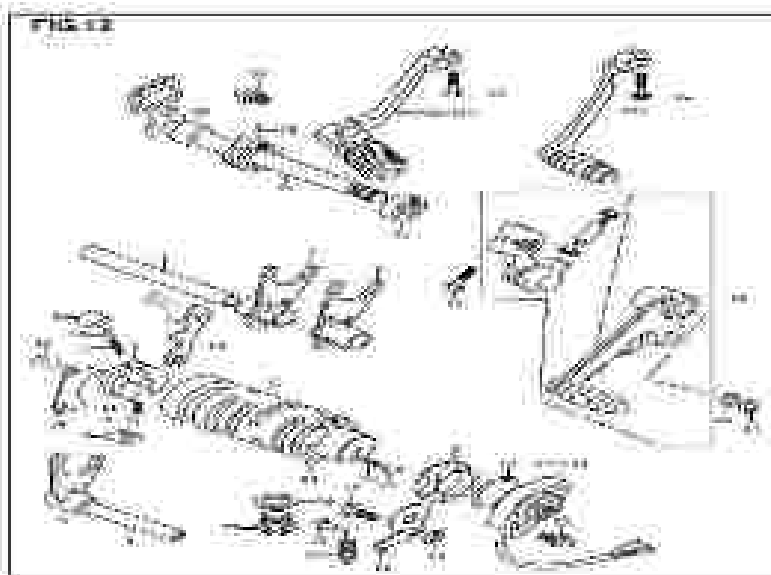


FIG. 12	E12				
FIG. 12	GEARSHIFTING				
QTY	PART	DESCRIPTION	QTY	REMARKS	
Ref. No.	Part No.	Description	QTY	Remarks	
E12-25	04120013000	BEARING	1		
E12-27	20850040100	SHAFT	1	Shaft, gear shifting	
E12-28	04100012000	LEVER	1	Lever	
E12-29	04440020000	SPRING	1	Spring	
E12-31	25671040100	SCREW	1		
E12-32	04220012000	GEAR	1		
E12-33	31110008000	WASHER	1	Washer 10-20	
E12-34	04140012000	WASHER	1	Washer 10	
E12-35	04300001110	WASHER	1	Washer 10-10	
E12-36	04020005000	CONTACT	1		
E12-38	04440004000	SPRING	1		
E12-37	208100407000	GEAR	1	Gear, gear shifting	
E12-38	208000402000	LEVER	1	Lever, gear	

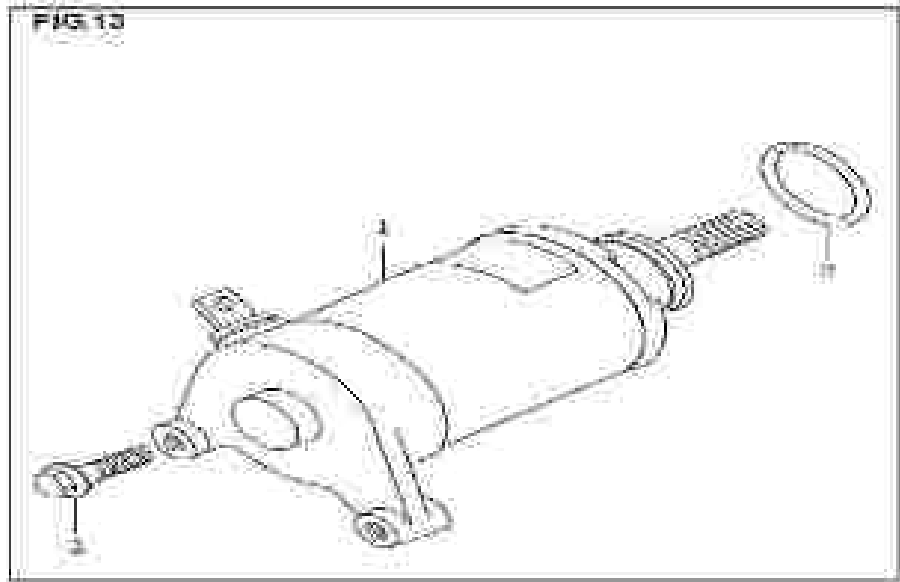


FIG. 13

圖 23

起動電機

FIG. 13

STARTING MOTOR

圖號

代號

說明書

圖號

註

Ref. No.

Part No.

Description

Qty

Remarks

E13-1

333333333333

Motor ass. starting

Motor ass. starting

1

E13-2

333333333334

G Ring (3*34.3)

G Ring (3*34.3)

1

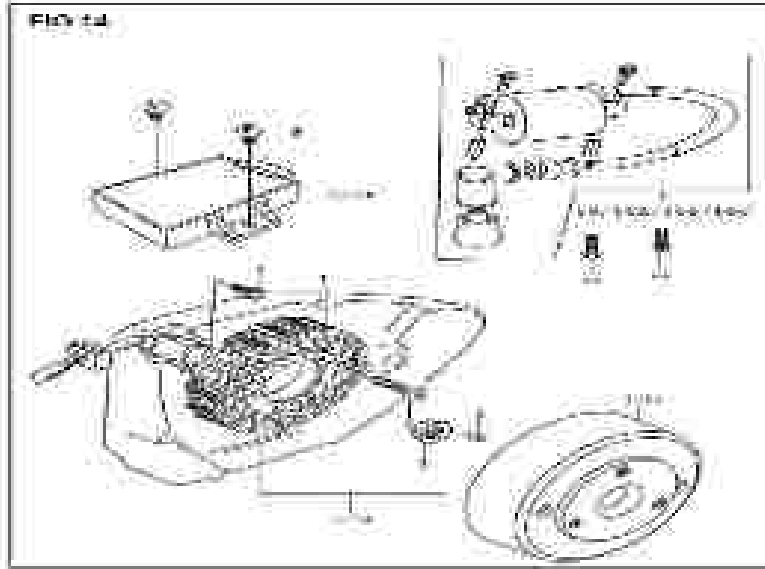
E13-3

333333333335

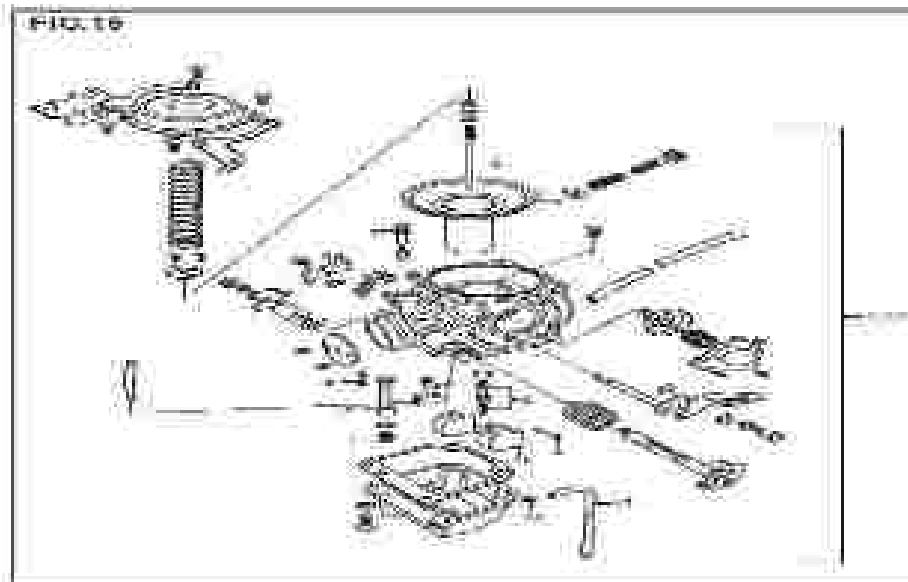
Shaft (3)

Shaft (3)

1



Part No.	Part No.	DESCRIPTION	QTY	REMARKS
E14-1	321000001000	STATOR KEY	1	COIL MAGNET
E14-2	321000002000	ROTOR F/WHEEL	1	ROTOR
E14-3	054000000001	SCREW M5X05	3	
E14-4	051000000001	SCREW M4X12	2	
E14-5	051000000002	NUT M4	2	
E14-6	054000000002	KEY 3X12	1	
E14-7	321000002000	ROTOR KEY	1	ROTOR
E14-8	120000001000	COIL WIND	1	ROTOR
E14-9	051000000000	SCREW M5X18	2	
E14-10	134000001000	CUT WIRE, 19/100	1	
E14-11	054000000004	SCREW M5X12	2	



E15					
CARBURETOR					
Ref. No.	Part No.	Description	QTY	Remarks	
E15-1	132500/MG7000	COVER	Carburetor cover	1	132500
E15-2	133330/MG7000	SCREW	Needle	1	133330
E15-3	135010/MG7000	DIAPHRAGM	Diaphragm cover	1	135010
E15-4	131790/MG7000	SCREW	Screw, pilot	1	131790
E15-5	094820/20802	JET	Jet, idle	1	133330
E15-6	133400/MG7000	PLATE	Plate	1	133400
E15-7	094810/20802	JET	Jet, main	1	133330
E15-8	133700/MG7000	VALVE	Valve, eq. needle	1	133700
E15-9	132540/MG7000	PLATE	Plate	1	132540
E15-10	133350/MG7000	PLATE	Fuel	1	133350
E15-11	133470/MG7000	SCREEN	Screen, fuel	1	133470
E15-12	138330/MG7000	HOSE	Hose, overflow	1	138330

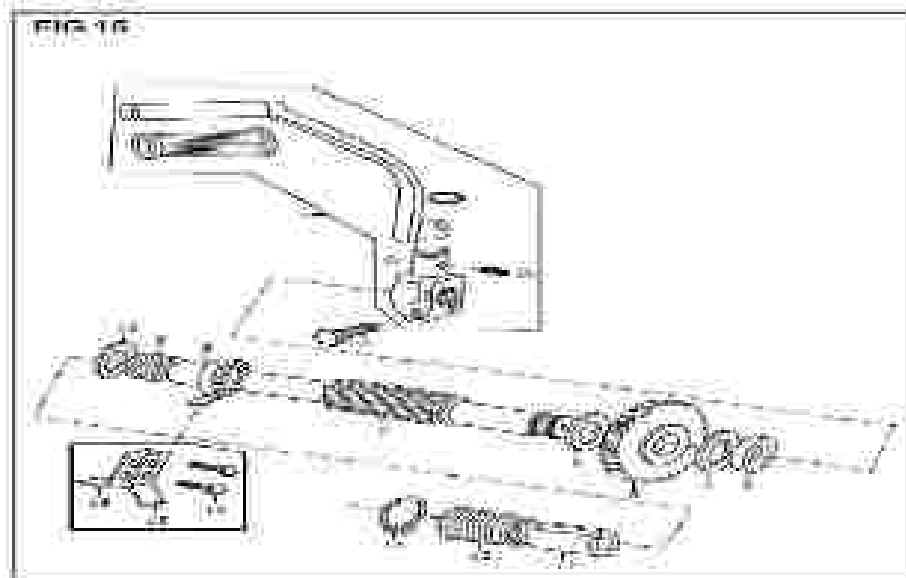
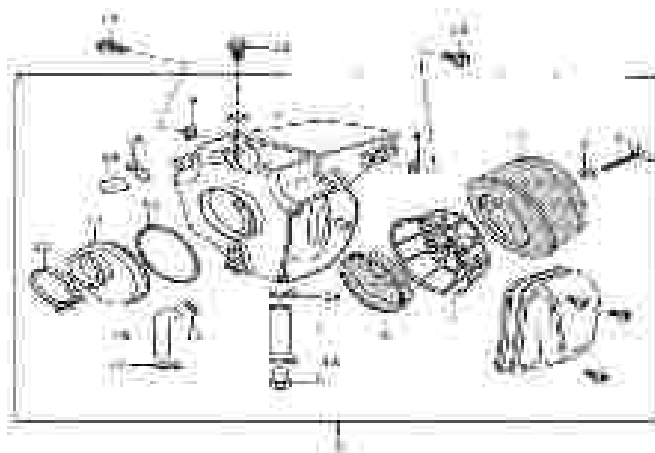


FIG. 16		KICKSTARTER			
FIG. NO.	PART NO.	DESCRIPTION	QTY	REMARKS	
E16-1	26000Q000288	COVER PLATE	1	Lens Mark	
E16-2	11504Q080191	ENGINE CASE	1	Ext. Mark 25	
E16-3	06000Q150004	GEAR	1	Oil seal	
E16-4	06100Q150007	GEAR	1	Washer	
E16-5	06040Q010000	GEAR	1	Gear, starter drive	
E16-6	06000Q150005	GEAR	1	Washer	
E16-7	06110Q010000	GEAR	1	Shaft kick starter	
E16-8	10211Q001000	GEAR	1	Reducer kick starter	
E16-9	05440Q010001	SPRING	1	Spring	
E16-10	06100Q170004	GEAR	1	Washer	
E16-11	06010Q001000	GEAR	1	Back shaft spring	
E16-12	06110Q010000	GEAR	1	Spring	
E16-13	06000Q150003	GEAR	1	Spring	
E16-14	01704Q000001	GEAR	2	Ball	
E16-15	06000Q010000	GEAR	1	Plate	
E16-16	06000Q001000	GEAR	1	Plate	

AIR CLEANER

F02

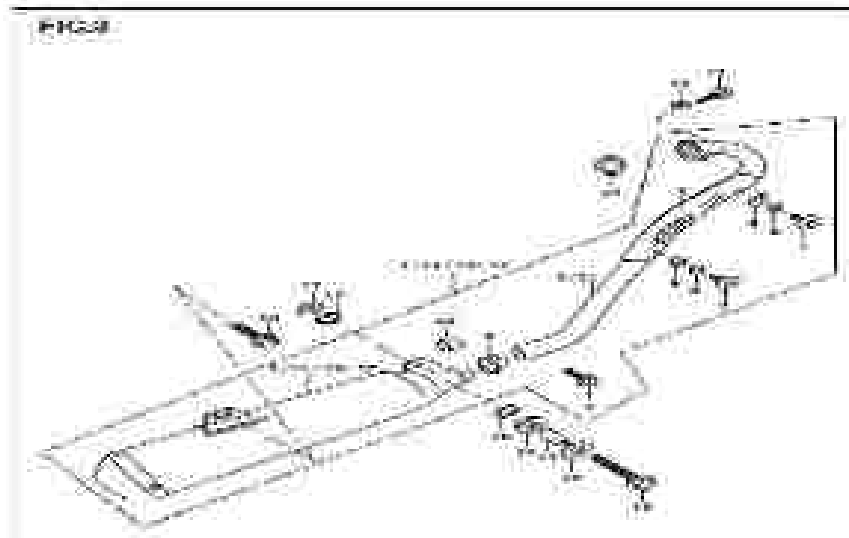
FIG. 2



Part No.	Part No.	Part Name	Qty	Remarks
F0-1	137320AM2000	エア清浄機	1	Air cleaner body
F0-2	138380AM2000	穴開	1	Tube, drain
F0-3	137320AM2000	ボルト	2	Bottom air cleaner
F0-4	137920AM2000	エアフィルター	1	Filter, mesh
F0-5	138380AM2000	エア清浄機	1	Bottom air cleaner
F0-6	137330AM2000	ボルトM8×45	2	Bolt M8×45
F0-7	354900011854	ワッシャー	1	Washer B
F0-8	138770AM2000	プラグ	1	Plug, air
F0-9	137320AM2000	ボルト	1	Bolt
F0-10	323040080382	ボルトM8×22	2	Bolt M8×22
F0-11	138660AM2000	エア管	1	Tube, venting
F0-12	138820AM2000	エア管	1	Tube, outlet
F0-13	138200LA2000	ダイヤフラム	1	Diaphragm
F0-14	138960AM2000	プラグ	1	Plug, air
F0-15	138830AM2000	エア管	1	Tube, venting
F0-16	654810134002	エア管	1	Tube, connecting

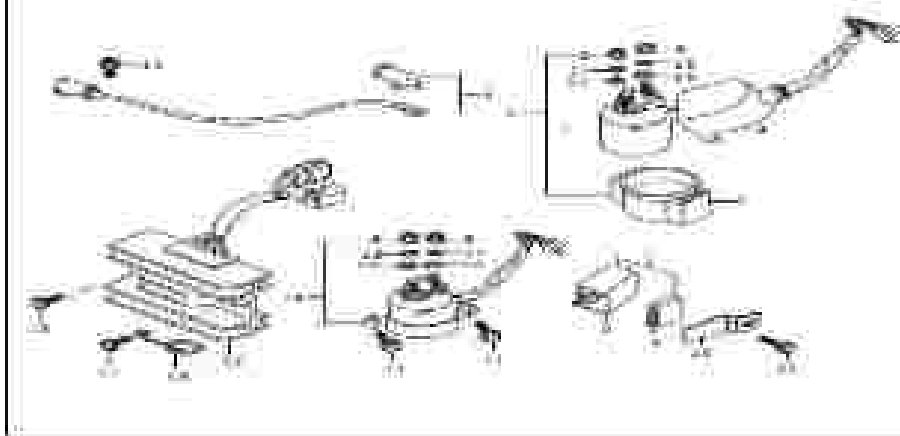
MUFFLER

F03

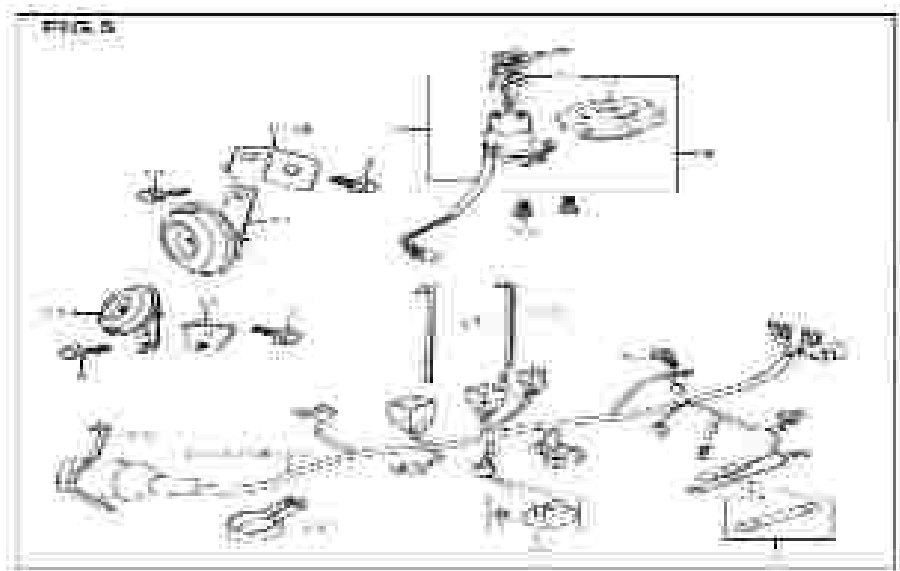


Part No.	Part No.	Description	QTY	Remarks
F0-2	141200MH2079	排氣管	1	排氣管
F0-4	144500MH2000	螺絲	1	螺絲
F0-5	021040080402	螺絲帽	1	螺絲帽
F0-6	141200MH2000	排氣管	1	排氣管
F0-7	058210006888	螺絲帽	1	螺絲帽
F0-8	054010011388	螺絲帽	1	螺絲帽
F0-9	054000071388	螺絲帽	1	螺絲帽
F0-10	141210MH7000	排氣管	1	排氣管
F0-11	05814000258	螺絲帽	1	螺絲帽
F0-12	054110011388	螺絲帽	1	螺絲帽
F0-13	02104008038	螺絲帽	1	螺絲帽
F0-14	144720MH2000	螺絲帽	1	螺絲帽
F0-15	144710MH2000	螺絲帽	1	螺絲帽
F0-16	144740MH2000	螺絲帽	1	螺絲帽
F0-17	144750MH2000	螺絲帽	1	螺絲帽
F0-18	02104008038	螺絲帽	1	螺絲帽
F0-19	054000051001	螺絲帽	1	螺絲帽
F0-20	147710MH2000	螺絲帽	1	螺絲帽

FIG.4

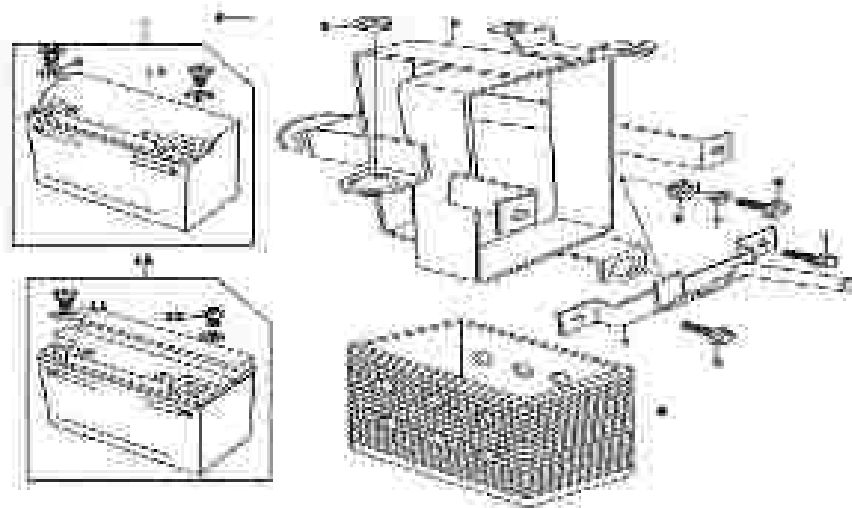


Ref No.	Part No.	DESCRIPTION	Qty	Remarks
F4-5A	333200LA2000	RELAY ASSY	1	starting
F4-5	333200CV2000	LOAD RES	1	starting motor
F4-5	064010011094	FAN	2	Ref 5B
F4-7A	089000M02000	FAN	1	LEED(F4-e)
F4-9	088000M02000	SEAL	1	fan
F4-5B	082255LA2000	BRAKET	1	fan
F4-11	003640001122	BUSH M8x12	1	5C
F4-12	003010LA2000	BUFFER ASSY	1	
F4-13	003640000202	BUSH M8x30	2	
F4-14	011200000082	BUSH M8x8	1	
F4-15	064200011094	WASHER 8	2	
F4-16	064200011094	WASHER 8	2	
F4-17	003640000202	BUSH M8x25	1	
F4-18	082510M02000	CLIP	1	

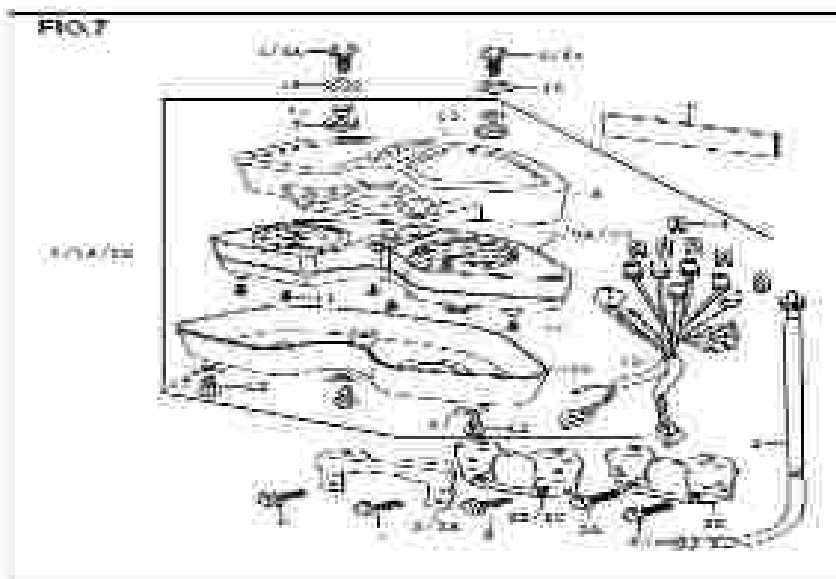


Part No.	Part No.	Part Name	Description	QTY	Remarks
F0-0	382110M02179	Wiring harness	Wiring harness	1	02179
F0-1	371140011800	Fuel tank	Fuel tank	1	
F0-2	020040000120	Bucket horn	Bucket horn	1	01
F0-4	415500U0000	Lock assy	Lock assy	1	01
F0-6	3701100M02050	Switch assy	Switch assy	1	02050
F0-7	3701100M02050	Switch assy	Switch assy	1	02050
F0-8	371580M02050-B	Gas fuel tank	Gas fuel tank	1	02050
F0-9	440250M02000	Horn assy	Horn assy	1	02000
F0-10	020040000000	Bell	Bell	1	
F0-11	385010U0000	Horn assy	Horn assy	1	01
F0-12	054070054005	Bell	Bell	1	
F0-13	020040000000	Bell	Bell	1	
F0-14	385010U0000	Horn assy	Horn assy	1	
F0-15	054070054004	Bell	Bell	1	
F0-16	385010U0000	Horn assy	Horn assy	1	
F0-17	054070054005	Bell	Bell	1	

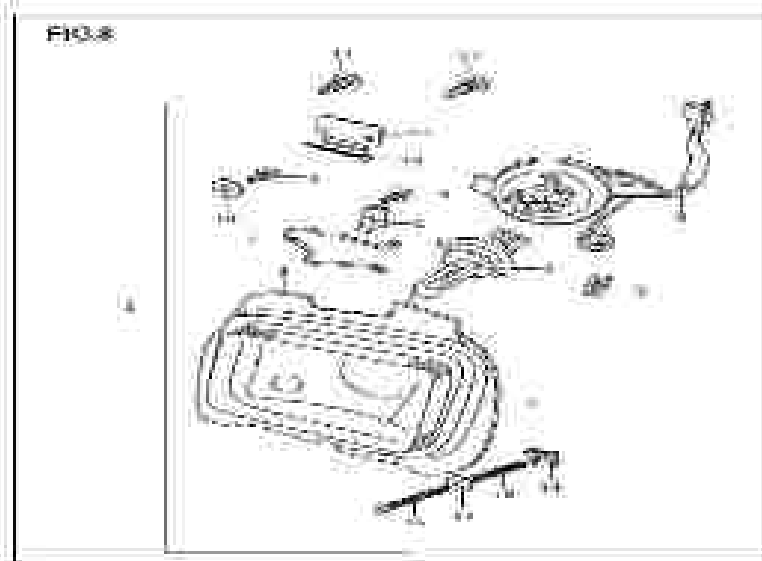
FIG.6



品名	規格	品名	数量	備註
Part No.	Part No.	Description	Qty	Remarks
F8-14	339110/MH2000	電池蓋	1	標準
F8-2	425400/MH2000	電池架	1	
F8-3	425000/MH2000	電池板	1	
F8-4	338450/MH2000	電池箱	1	
F8-5	023840000000	六角形電池箱NB-15	1	標準
F8-6	081200000000	電池墊	1	
F8-7	338530/MH2000	電池蓋	1	
F8-8	023840000000	六角形電池箱NB-20	1	標準
F8-11	338150/MH2000	電池蓋	1	
F8-12	338270/MH3000	六角形電池箱NB-18	1	



料號 Part No.	代號 Part No.	名稱 Description	數量 Qty	備註 Remarks
F7-1		速度計殼		
F7-2		SPEEDOMETER		
F7-3		速度計殼		
F7-4		速度計殼		
F7-5		速度計殼		
F7-6		速度計殼		
F7-7		速度計殼		
F7-8		速度計殼		
F7-9		速度計殼		
F7-10		速度計殼		
F7-11		速度計殼		
F7-12		速度計殼		
F7-13		速度計殼		
F7-14		速度計殼		
F7-15		速度計殼		
F7-17		速度計殼		
F7-18	348110/MH2223	速度計殼	1	公行車殼180
F7-19	348110/MH2313	速度計殼	1	公行車殼
F7-20	348110/MH2323	速度計殼	1	公行車殼
F7-21	613040000002	速度計殼	1	公行車殼
F7-22	613040000003	速度計殼	1	公行車殼
F7-23	338440AF2000	速度計殼	1	公行車殼
F7-24	341910/MH3000	速度計殼	1	公行車殼
F7-25	341110/MH2000	速度計殼	1	公行車殼
F7-26	341140/MH2000	速度計殼	1	公行車殼
F7-27	040110/021001	速度計殼	1	公行車殼
F7-28	040110/021002	速度計殼	1	公行車殼
F7-29	040110/021003	速度計殼	1	公行車殼
F7-30	341710/MH2000	速度計殼	1	公行車殼
F7-31	071130/011011	速度計殼	1	公行車殼
F7-32	341920/MH2000	速度計殼	1	公行車殼
F7-33	054200/041551	速度計殼	1	公行車殼
F7-34		速度計殼	1	公行車殼
F7-35		速度計殼	1	公行車殼
F7-36		速度計殼	1	公行車殼
F7-37		速度計殼	1	公行車殼
F7-38		速度計殼	1	公行車殼
F7-39		速度計殼	1	公行車殼
F7-40		速度計殼	1	公行車殼
F7-41		速度計殼	1	公行車殼
F7-42		速度計殼	1	公行車殼
F7-43		速度計殼	1	公行車殼
F7-44		速度計殼	1	公行車殼
F7-45		速度計殼	1	公行車殼
F7-46		速度計殼	1	公行車殼
F7-47		速度計殼	1	公行車殼
F7-48		速度計殼	1	公行車殼
F7-49		速度計殼	1	公行車殼
F7-50		速度計殼	1	公行車殼
F7-51		速度計殼	1	公行車殼
F7-52		速度計殼	1	公行車殼
F7-53		速度計殼	1	公行車殼
F7-54		速度計殼	1	公行車殼
F7-55		速度計殼	1	公行車殼
F7-56		速度計殼	1	公行車殼
F7-57		速度計殼	1	公行車殼
F7-58		速度計殼	1	公行車殼
F7-59		速度計殼	1	公行車殼
F7-60		速度計殼	1	公行車殼
F7-61		速度計殼	1	公行車殼
F7-62		速度計殼	1	公行車殼
F7-63		速度計殼	1	公行車殼
F7-64		速度計殼	1	公行車殼
F7-65		速度計殼	1	公行車殼
F7-66		速度計殼	1	公行車殼
F7-67		速度計殼	1	公行車殼
F7-68		速度計殼	1	公行車殼
F7-69		速度計殼	1	公行車殼
F7-70		速度計殼	1	公行車殼
F7-71		速度計殼	1	公行車殼
F7-72		速度計殼	1	公行車殼
F7-73		速度計殼	1	公行車殼
F7-74		速度計殼	1	公行車殼
F7-75		速度計殼	1	公行車殼
F7-76		速度計殼	1	公行車殼
F7-77		速度計殼	1	公行車殼
F7-78		速度計殼	1	公行車殼
F7-79		速度計殼	1	公行車殼
F7-80		速度計殼	1	公行車殼
F7-81		速度計殼	1	公行車殼
F7-82		速度計殼	1	公行車殼
F7-83		速度計殼	1	公行車殼
F7-84		速度計殼	1	公行車殼
F7-85		速度計殼	1	公行車殼
F7-86		速度計殼	1	公行車殼
F7-87		速度計殼	1	公行車殼
F7-88		速度計殼	1	公行車殼
F7-89		速度計殼	1	公行車殼
F7-90		速度計殼	1	公行車殼
F7-91		速度計殼	1	公行車殼
F7-92		速度計殼	1	公行車殼
F7-93		速度計殼	1	公行車殼
F7-94		速度計殼	1	公行車殼
F7-95		速度計殼	1	公行車殼
F7-96		速度計殼	1	公行車殼
F7-97		速度計殼	1	公行車殼
F7-98		速度計殼	1	公行車殼
F7-99		速度計殼	1	公行車殼
F7-100		速度計殼	1	公行車殼

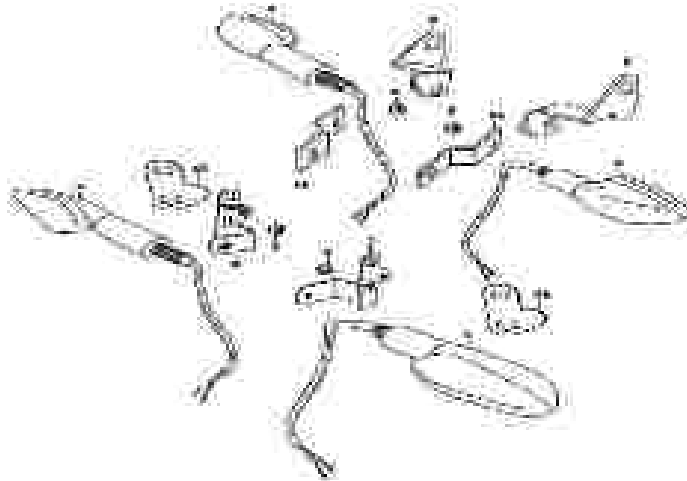


品名 照灯 (照灯灯壳: 47222220001) (照灯灯壳)				
品番 Part No.	品番 Part No.	品名 Description	数量 Qty	注 Remarks
F0-1	221010M0000	照灯灯壳	1	Headlamp case
F0-2	330130M0000	反射器、透光灯罩	1	Reflector, lens
F0-3	351250M0000	透镜	1	Lens
F0-4	07130000111	副灯罩	1	Sub lens
F0-5	07130001111	副灯罩用WS	1	Sub. position WS
F0-6	150130M0000	插座	1	Socket assy
F0-7	351270M0000	弹簧挡片	1	Spring clamp
F0-8	351240M0000	副透光灯罩	1	Op. lens
F0-9	04020000000	螺钉 ST1.9-8	1	Screw ST1.9-8
F0-10	05430001100	垫圈	1	Washer 3
F0-11	05430001104	垫圈	1	Washer 4
F0-12	013330M0000	簧片	1	Strip
F0-13	04411000050	Pin 2-50	1	Pin 2-50
F0-14	351270M0000	螺母	1	Nut
F0-15	351280M0000	弹簧	1	Spring
F0-16	034110040704	螺钉 M4-70	1	Screw M4-70
F0-17	081320040013	螺钉 ST4.2-13	1	Screw ST4.2-13

TURN SIGNAL LAMP

F09

FIGURE



FILE NO

REV

FIG. NO

QTY

Part No.

DESCRIPTION

TURN SIGNAL LAMP

DESCRIPTION

Description

QTY

QTY

REMARKS

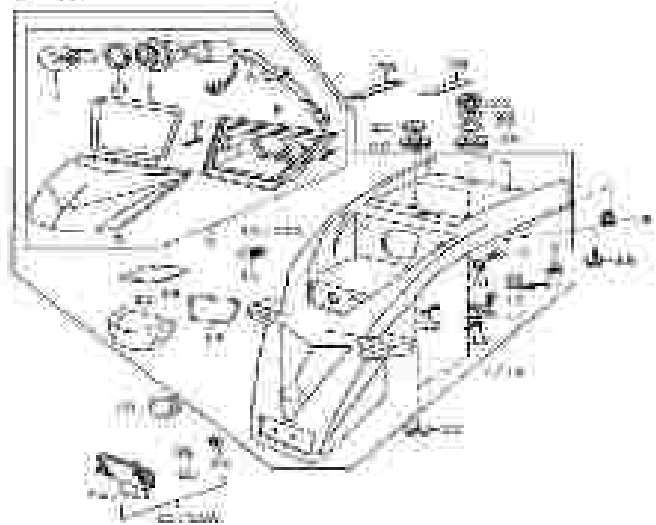
Remarks

F09-1	38800(N42000	BRACKET	WHEEL, front RR	2	
F09-2	38800(N42000	BRACKET	WHEEL, front LH	2	
F09-3	38800(N42000	BRACKET	WHEEL, rear RR	2	
F09-4	38800(N42000	BRACKET	WHEEL, rear LH	2	
F09-5A	38800(N42000	BRACKET	BRACKET, rear wheel	2	
F09-5A	38800(N42000	BRACKET	BRACKET, front wheel	2	
F09-6	08280000000	TURN SIGNAL SWITCH	INT. SW. 1	4	

REAR COMBINATION LAMP

F10

FIG.10



F10.10

图 10

尾灯

F10.10

REAR COMBINATION LAMP

图号

零件

说明/名称

数量

备注

Part No.

Part No.

Description

Qty

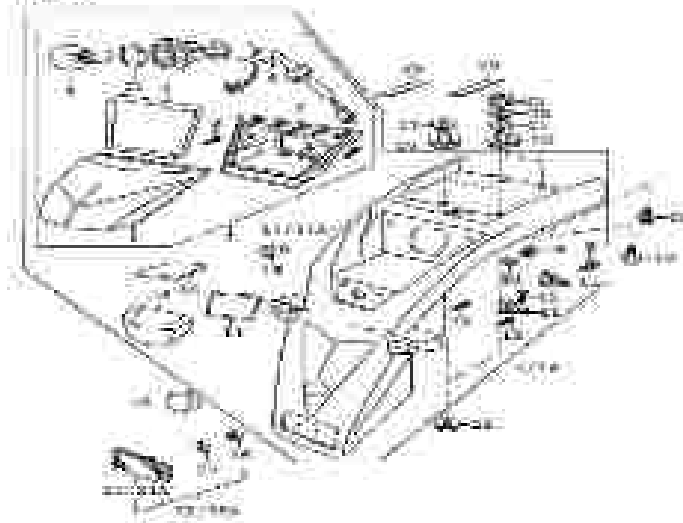
Remarks

F10-1	85710/MN2000	尾灯总成	Tail lamp Assy	1	注意
F10-2	857010/MN2000	尾灯灯罩	Tail lamp Assy	1	DO NOT SUPPLY
F10-3	857110/MN2000	尾灯灯罩	Lens tail lamp	1	
F10-4	857130/MN2000	尾灯罩	Shut. tail lamp	1	DO NOT SUPPLY
F10-5	857140/MN2000	尾灯灯壳	Body, rear lamp	1	
F10-6	85720/MN2000	尾灯灯罩总成	Bracket lens Assy	1	
F10-7	871100007111	灯座 P21, 5W	Socket P21, 5W	1	
F10-8	040100041804	十字螺丝 M4X0.5 长度 3-4	Screw ST4.3-11	2	
F10-9	054110050114	十字螺帽 M4X0.5, M 长度	Screw NS-11	1	
F10-10	054200011354	平垫圈 3	Washer B	1	
F10-11	85740/MN2000	遮光罩	Clad, rear lamp	1	注意
F10-12	040300011204	十字螺丝 M4X0.5 长度 5-12	Screw ST1.5-12	1	
F10-13	858150/MN2000	尾灯灯罩	Lens, license plate lamp	1	
F10-14	858160/MN2000	尾灯罩	Shut. license plate lamp	1	
F10-15	071100011111	灯罩罩盖 MSW	Sub. position MSW	1	
F10-16	858180/MN2000	衬套	Gasket 17-02-1	1	
F10-17	852110/MN2000	尾灯灯罩	Rear fender II	1	
F10-18	852150/MN2000	尾灯灯罩	Insulator	1	
F10-19	021040000252	六角螺母 M6X25	Nut M6-25	1	
F10-20	054200011354	平垫圈 3	Washer B	1	
F10-21	85740/MN2000	遮光罩	Shut	1	
F10-22	061150000004	六角螺母 M6	Nut M6	1	注意
F10-23	858000/MN2000	尾灯灯罩	Reflector, rear	1	
F10-24	0541000111204	十字螺帽 M4X0.5 长度 11	Reflector, rear 85-11	1	
F10-25	054200011354	平垫圈 3	Washer B	1	

REAR COMBINATION LAMP

F10

FIG. 10



F10-10

F10-11

F10-12

F10-13

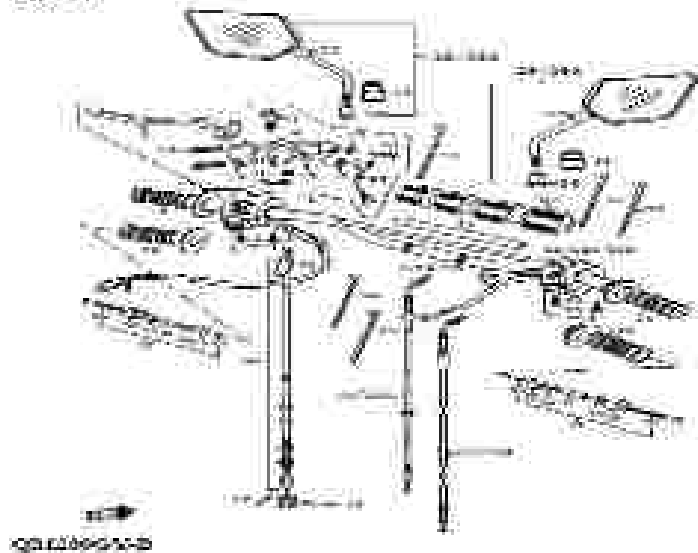
F10-14

后尾灯

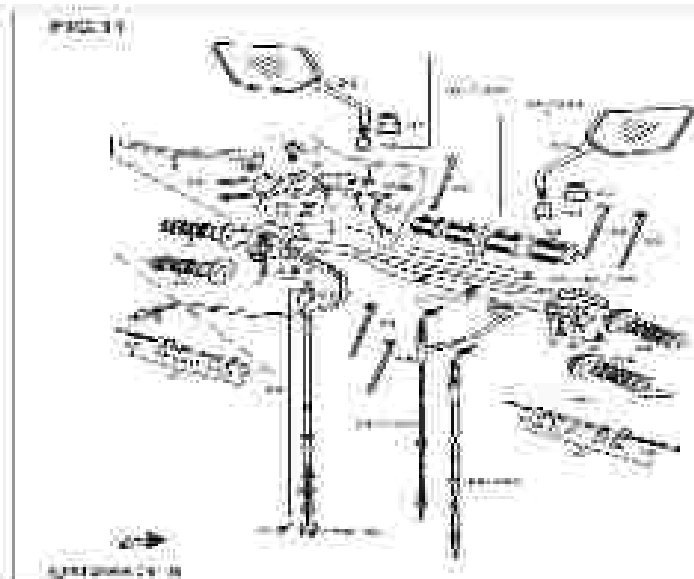
REAR COMBINATION LAMP

Ref. No.	Part No.	Description	Qty	Remarks
F10-05	054010012054	灯罩	1	
F10-07	061990000011	罩壳	1	
F10-08	063200000002	灯罩罩壳	1	
F10-09	108440AF200	灯罩罩壳	1	50-20-4

FIG. 11



品番 Part No.	品名 Part No.	説明書 Description	数量 Qty	備考 Remarks
HANDLE BAR-HANDLE SWITCH				
F11-03	581100Y3000	ハンドルキャブ	1	122000
F11-04	572110MY0000	ケーブル	1	
F11-05	574000MY0000	スイッチキャブ LHハンドル	1	
F11-04	054110Y00023	ボルト M5×22	1	
F11-05	054110Y00040	ボルト M5×40	1	
F11-06	575000MY0000	ローカブ LH側	1	
F11-07	574310L01000	ボルト	1	
F11-08	575110L01000	スプリングローカブ	1	
F11-09	575210L01000	ローカブ	1	
F11-09	574600L01000	スイッチ側	1	
F11-10	575400L01000	アダプタケーブル	1	
F11-11	575410L01000	ナット	1	
F11-12	021040Y00025	ボルト M5×25	1	
F11-14	573610L01000	カバーキャブ	1	
F11-15	054110Y00004	ボルト M5×22	1	012000
F11-16	054110Y01100	ロックワッシャー	1	012000
F11-17	054110Y01100	ナット M5	1	012000
F11-25A	372000Y3000	スイッチキャブ RHハンドル	1	
F11-25	054510Y00028	ボルト M5×28	1	
F11-26	054510Y00028	ボルト M5×28	1	012000
F11-15	571110MY0000	ケーブルキャブ	1	
F11-27	583000MY0000	クラッチケーブル	1	
F11-23A	583010MY0010	ケーブルキャブ throttle upper	1	1450
F11-23A	583000MY0010	ケーブルキャブ throttle lower	1	1450
F11-25	582480MY0000	シートカバー	1	



圖號	零件	說明	數量	備註	
Part No.	Part No.	Description	Qty	Remarks	
F11-26	047210080141	軸桿-04	Shaft 8-04	1	
F11-27	0481100200181	彈簧-08	Sp 2-08	1	
F11-28/29	880010040000	鏡面鏡片-01	Mirror ass. rear view LR/RH	2/2	00
F11-30	880010040000	鏡面鏡片-02	Mirror ass. rear view LH	1	
F11-31	880010040000	鏡面鏡片-03	Mirror ass. rear view RH	1	
F11-32	880140080000	管套-08	Ruf 048	2	
F11-33	880150080000	靴套-08	Boot, lower	2	
F11-34	880150080000	靴套-08上	Boot, upper	2	
F11-35	ET1700000000	橡膠保護套	Rubber protector, handlebar	1	
F11-36	ET1740000000	保護套-08	Protector tube, handlebar	1	
F11-37	884070150000	彈簧-0150	Comp 4-150	1	00
F11-38	ET5800000000	電線開關	Cable, clutch switch	1	

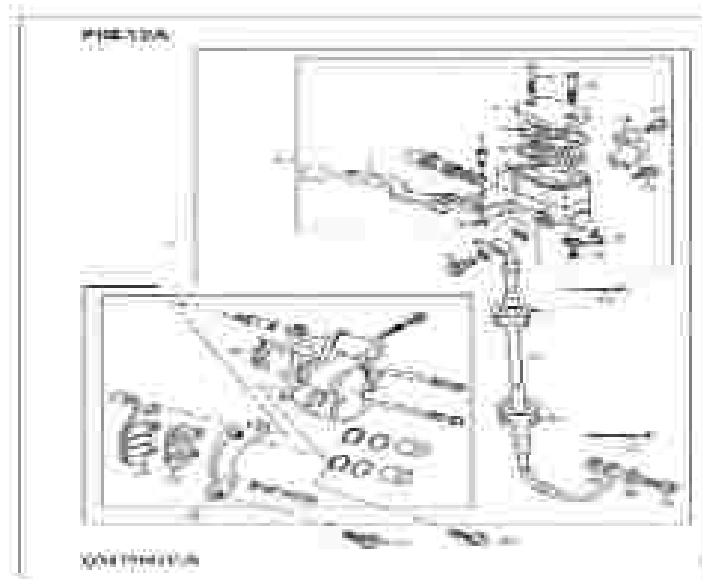


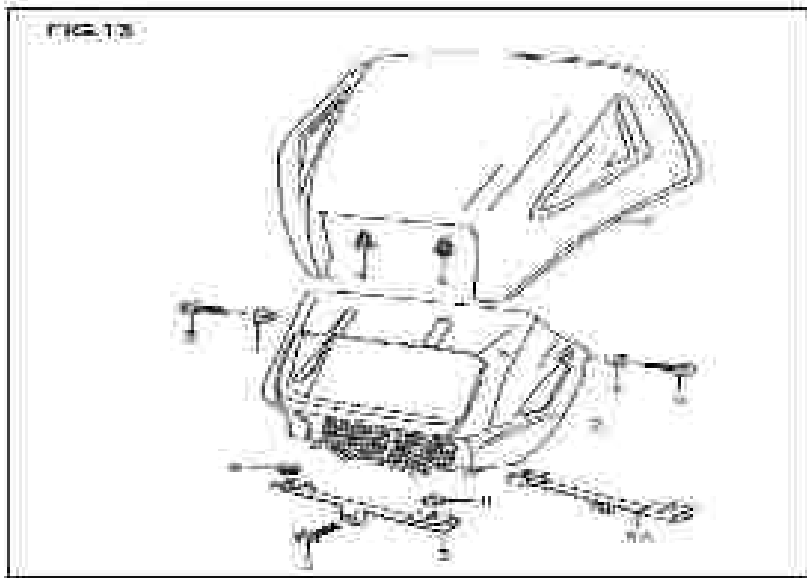
圖 12A

前輪碟式剎車組件(ASD) 零件清單

FIG.12A

FRONT DISK BRAKE ASSY

序號	代號	名稱	數量	備註
Ref.No.	Part No.	Description	Qty	Remarks
FIG.12A-1	E90000NA2010	剎車組件	1	剎車組件 (ASD)
FIG.12A-2	E98000MH0000	剎車撞擊器	1	
FIG.12A-3	E98800MH0000	剎車墊	2	剎車
FIG.12A-4	E98870MH0000	剎車盤	1	
FIG.12A-5	E98880MH0000	剎車油	1	
FIG.12A-6	E941100A0110	螺絲 M4x30	2	
FIG.12A-7	E74210MH0000	剎車片	1	
FIG.12A-8	E74210MH0000	剎車片	1	
FIG.12A-9	E54090041000	剎車片	1	
FIG.12A-10	E98710MH0000	剎車片	1	
FIG.12A-11	E11240080340	剎車片	1	
FIG.12A-12	E74900MH0000	剎車片	1	
FIG.12A-13	E941100A0110	螺絲 M4x30	2	
FIG.12A-14	E94800MZ050	剎車片	1	剎車片
FIG.12A-15	E94810MH0000	剎車片	1	
FIG.12A-16	E94820MH0000	剎車片	4	
FIG.12A-17	E90000NA2010	剎車組件	1	
FIG.12A-18	E90000NA2000	剎車片	1	
FIG.12A-19	E90480NA2000	剎車片	1	
FIG.12A-20	E90820EN2000	剎車片	1	
FIG.12A-21	E91150NA3000	剎車片	1	
FIG.12A-21	E90040000340	剎車片	1	剎車片
FIG.12A-22	E94830MH0000	剎車片	1	
FIG.12A-23	E94070150111	剎車片	2	



F13.13		零件圖			零件名稱	
圖號		零件名稱				
F13.13		零件名稱				
序號	代號	零件名稱	單位	數量	備註	
Part No.	Part No.	Description	Qty		Remarks	
F13-1	344110YH2000	罩殼	Cowling cover	1	↑	
F13-2	344970YH2000	大灯罩殼	Cover, front lamp	1		
F13-3A	345510Y2000	罩殼	Bracket, cowling	1	零件圖	
F13-4	051320A40010	螺絲	Screw 374.3×13	1		
F13-5	025040Q90100	螺絲	Bolt 105×13	3		
F13-6	091300000001	墊圈	Washer 05008	1		
F13-7	091300000002	墊圈	Washer	1	零件	

FIG.14

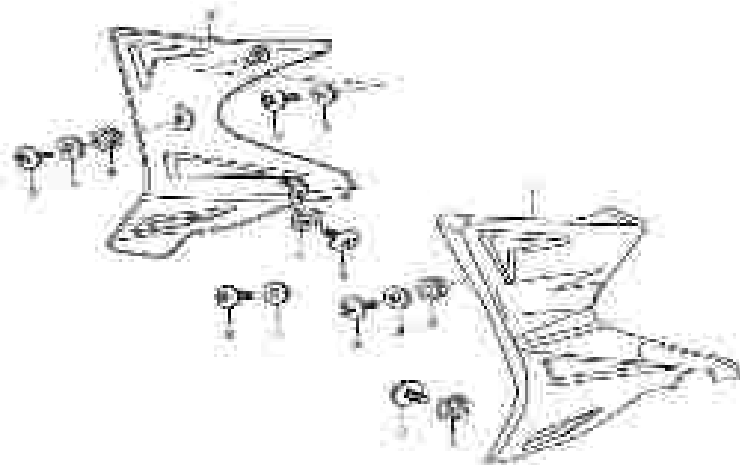


FIG.14

FIG.14

FIG.14

燃油箱盖

FUEL TANK COVER

零件

零件

CONTINUE

数量

备注

Part No.

Part No.

Description

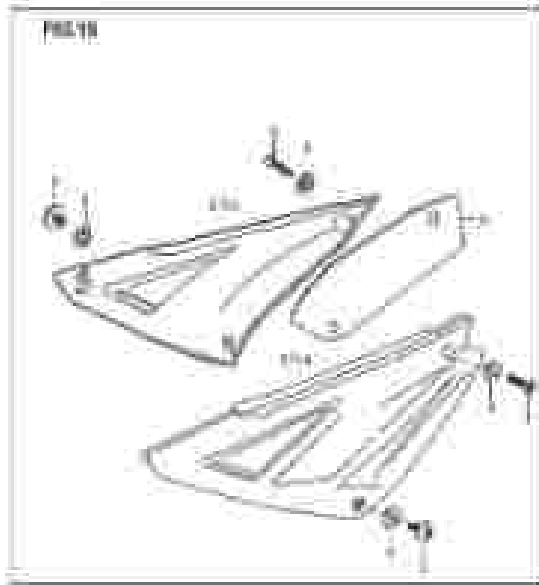
Qty

Remarks

F14.1	475493MND000-111	燃油箱盖 LH	1	GREEN
F14.1	475480MND000-054	燃油箱盖 LH	1	ORANGE
F14.1	475493MND000-111	燃油箱盖 RH	1	GREEN
F14.2	475493MND000-054	燃油箱盖 RH	1	ORANGE
F14.3	081340080008	泡沫垫	1	
F14.4	081490080001	卡扣	1	
F14.5	081510080000	垫片	1	
F14.6	081500080002	衬套	1	
F14.7	081590080000	垫片	1	08

FRAME COVER

F15



Part No.	Part No.	Description	Qty	Remarks
F15-1	471110NH2000-000	COVER LH BODY	1	FR
F15-2	471110NH2000-000	COVER RH BODY	1	FR
F15-3	091240090000	SCREW M4x12	2	
F15-4	011000090001	BOLT M8x20	2	080000
F15-5	091550040002	WASHER	4	030000
F15-6	471130NH2000	COVER THERMAL PROTECT	1	

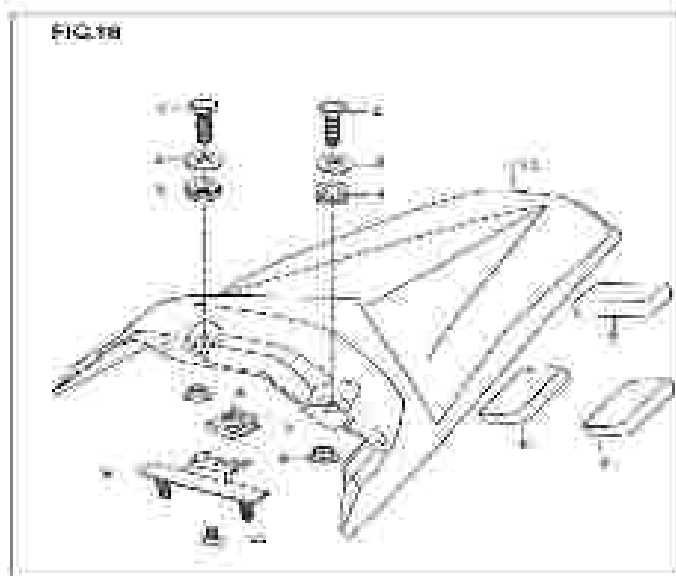


FIG. 16

FIG. 16

FIG. 16

SEAT

SEAT TAIL COVER

Part No.	Part No.	CONT./QTY	Description	QTY	Remarks
F16-1	472379MM0000-002	座尾蓋	Tail cover	1	PP
F16-2	018040080021	座尾蓋	Seat M8x25	2	080000
F16-3	090000080006	座尾蓋	Cushion D	2	
F16-5	091480080001	座尾蓋	Clip out M8	1	
F16-6	051890080008	座尾蓋	Seat	2	
F16-7	339450AF2000	座尾蓋	Cushion 30x33x25	2	
F16-8	834110AF2000	座尾蓋	Cushion 40x30x25	2	
F16-9	471120MM0000	座尾蓋	Plate, Tail cover	1	
F16-10	091240080004	座尾蓋	Screw M8x15	1	

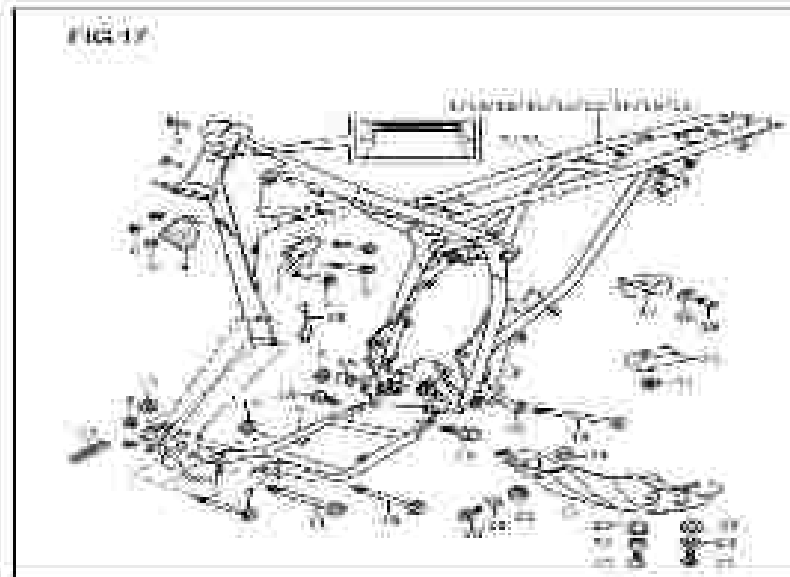


FIG. 17	FIG. 17		FIG. 17		
FIG. 17	FRAME		FIG. 17		
FIG. 17	FIG. 17	FIG. 17	FIG. 17	FIG. 17	
Part No.	Part No.	Description	Qty.	Reference	
F17-01	413800MN2240-022	BRACKET	Body, main frame	1	10-1080
F17-02	088800Q000007	BRACKET	Frame, trend plate	1	
F17-03	081110Q000001	ROD	Front, 2x5	2	
F17-04	413800MN2000	BRACKET	Plate, engine mounting, upper	2	
F17-05	083040Q000001	FRAGMENTS	Bolt M8x50	3	08
F17-06	084090Q001001	WASHER	Nut M8	6	08
F17-07	413800MN2000	BRACKET	Plate, engine mounting, front	1	
F17-08	083040Q000001	FRAGMENTS	Bolt M8x50	1	08
F17-09	413800MN2000	BRACKET	Plate, lower	1	
F17-10	083040Q000001	FRAGMENTS	Bolt M8x50	1	08
F17-11	081030Q100003	FRAGMENTS	Bolt M10x80	1	00
F17-12	084090Q001001	WASHER	Nut M10x1.25	2	08
F17-13	083040Q000001	FRAGMENTS	Bolt M10x20	2	08
F17-14	085040Q001001	FRAGMENTS	Bolt M8x12.5	1	08
F17-15	084040Q004001	CLIP	Clip, clutch cable	1	
F17-16	082150Q000001	WASHER	Clutch, spring	2	
F17-17	011740MN2000	BLANK	Block, cover	1	
F17-18	010250MN2000	BLANK	Block, water	1	
F17-19	083040Q000001	FRAGMENTS	Bolt M8x15	1	
F17-20	084090Q001001	WASHER	Washer 3	1	
F17-21	081030Q000004	FRAGMENTS	Nut M8	1	00
F17-22	438110MN2000	BRACKET	Cover, protect	1	10-1080
F17-23	081030Q000001	FRAGMENTS	Clutch, 08057	2	
F17-24	088800Q000000	BRACKET	Block	3	
F17-25	083040Q000001	FRAGMENTS	Bolt M8x50	3	
F17-27	083040Q000001	FRAGMENTS		1	

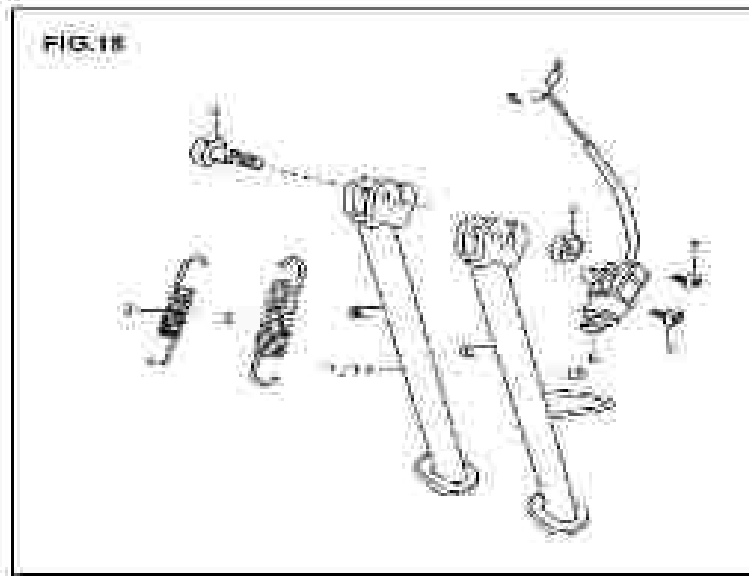


FIG. 18

圖 18

架

FIG. 18

STAND

名目

零件

說明書

數量

備註

料號

Part No.

說明書

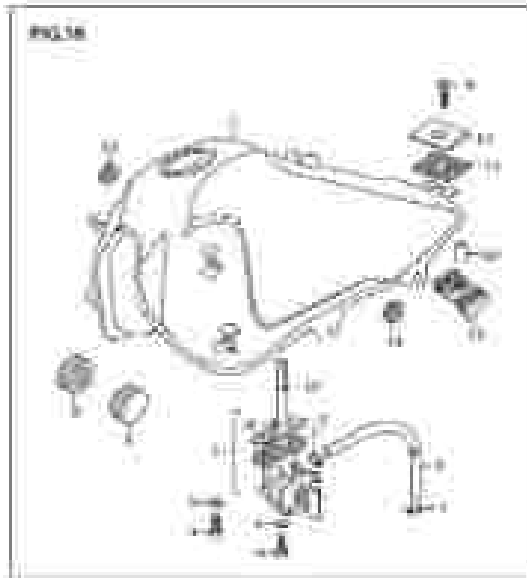
數量

Remarks

F18-1	4218100M000	架組裝	Stand complete	1	總裝
F18-2	4218100V000	彈簧	Spring	1	
F18-3	4218100V010	彈簧	Spring	1	SC
F18-4	4218100M000	螺絲帽	Nut M10-25	1	
F18-5	08181000001	螺絲帽	Nut M10	1	
F18-6	378000V1880	螺絲帽	Shaftnut	1	
F18-7	03431000010	螺絲帽	Screw M5x10	1	0818100

FUEL TANK

F19



Part No.	Part No.	Description	Qty	Remarks
F19-1	44110QNH2000-8200NH20080NH2	Tank cover	1	
F19-2	44110QNH2000-004	Wash cap - FULL ORANGE	1	
F19-3	44110QNH2000	Wash cap spacer	1	
F19-4	44110QNH2000	Seal	1	
F19-5	44300QNH2000	Lockcase, fuel tank	1	
F19-6	011100000001	Butt MS-40	2	000000
F19-7	051000000001	Ball B	2	
F19-8	44400QNH2001	Flare	1	1-145
F19-9	054000000001	Clamp	2	
F19-10	090000000001	Gasket, front	2	
F19-11	020040000001	Butt MS-40	1	000000
F19-12	44510QNH2000	Seal	1	
F19-13	44510QNH2000	Rubber, fuel tank	1	
F19-14	44510QNH2000	Seal	1	
F19-15	44510QNH2000	Gasket, rear	1	
F19-16	090000000001	Gasket	2	
F19-17	44110QNH2000	Element I	1	
F19-18	44300QNH2000	Element II	1	
F19-19	054000000001	Clamp	1	000000
	88110QNH20080NH1	Right Sticker, Fuel Tank	1	890
	88120QNH20080NH1	Left Sticker, Fuel Tank	1	890
	88210QNH20440NH1	Right Sticker, Fuel Tank Cover (I)	1	890 (FULL ORANGE)
	88220QNH20440NH1	Left Sticker, Fuel Tank Cover (I)	1	
	88110QNH205A0NH1	Right Sticker, Fuel Tank (I)	1	430 (RED)
	88120QNH205A0NH1	Left Sticker, Fuel Tank (I)	1	430 (RED)
	88110QNH206A0NH1	Right Sticker, Fuel Tank (I)	1	450 (YELLOW)
	88120QNH206A0NH1	Left Sticker, Fuel Tank (I)	1	450 (YELLOW)

FIG.19

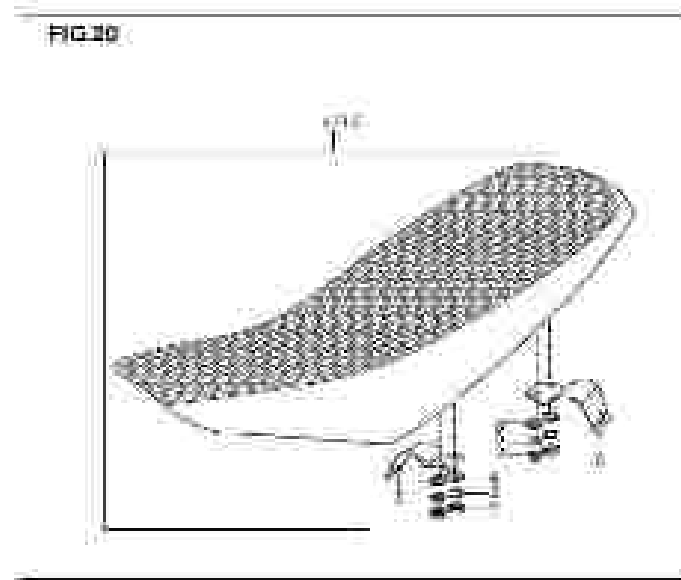


FIG.20



部品

PILLION RIDER

品番	部品	説明書	数量	単位
Part No.	Part No.	Description	Qty	Remarks
F20-1A	4521100M2000-411	シート座	1	1
F20-2	054010011004	ナット	4	000000
F20-3	054010011004	ワッシャー	4	000000
F20-4	054010011004	ワッシャー	4	000000
F20-5	4521100M2000	シート	1	

FIG.21A

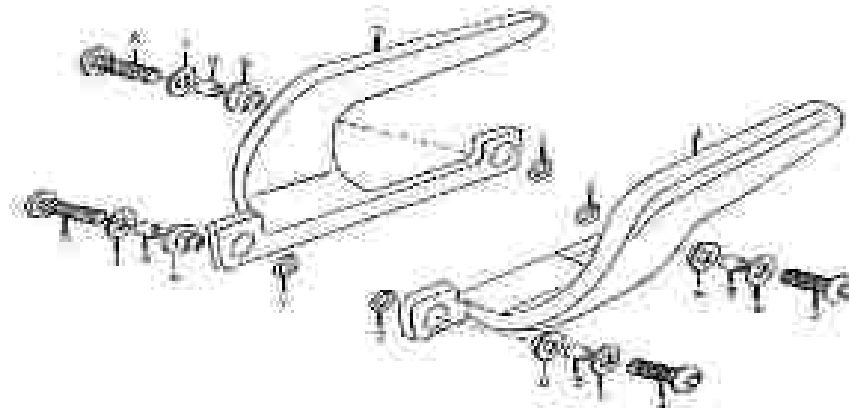


FIG.21A

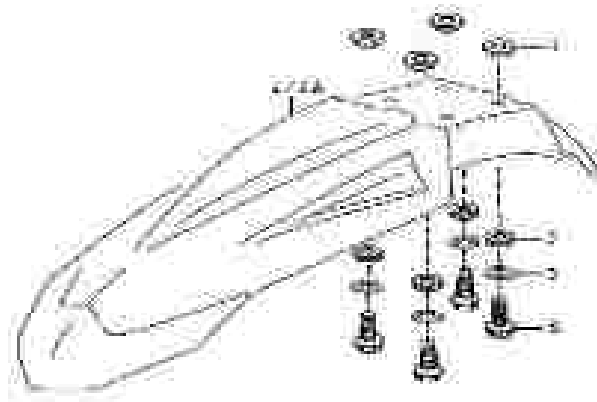
FIG.21A

CARRIER COMP REAR

FIG.21A

FIG. 21A	FIG. 21A	FIG. 21A	FIG. 21A	FIG. 21A
Part No.	Part No.	Description	Qty	Remarks
F21-1	484410MN2000	Carrier	1	Carrier, LH
F21-2	484410MN2000	Carrier	1	Carrier, RH
F21-3	030440000408	Hardware	4	Screws M5x45
F21-4	054000050081	Washer	4	Washer 8
F21-5	060000000007	Washer	4	Washer
F21-6	060000000003	Washer	4	Washer
F21-7	060000000005	Washer	4	Washer

FIG.22A



Ref. No.	Part No.	Description	Qty	Remarks
F22-1	831110/M2010-000	FRONT FENDER	1	ASB
F22-2	023040080002	BOLT M8x30	4	
F22-3	054000050001	WASHER 8	4	
F22-4	038000M00000	BUSH	4	
F22-5	033000030002	NUT M8	4	

FIG. 23

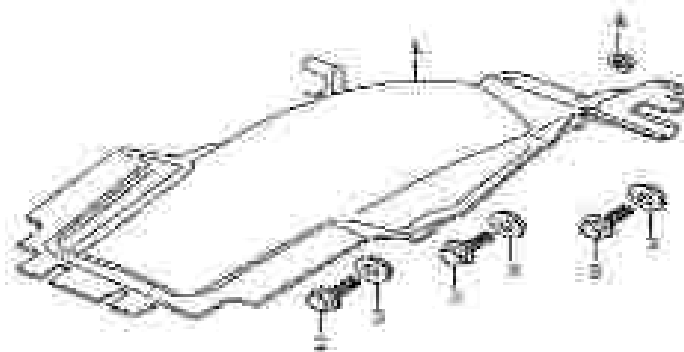


FIG. 23

23

REAR FENDER

FIG. 23

REAR FENDER

23

FIG

REAR FENDER

23

FIG

Part No.

Part No.

Description

Description

Qty

Remarks

F23-1

611110/012006

FRONT PORTION

Front portion, rear fender

1

FR

F23-2

323040080180

FRONT BOLT

Bolt M8x18

2

FRONT BOLT

F23-3

041880/00000

WASHER

Washer

2

WASHER

F23-4

041220/00004

NUT

Nut M8

2

NUT

F23-5

323040080112

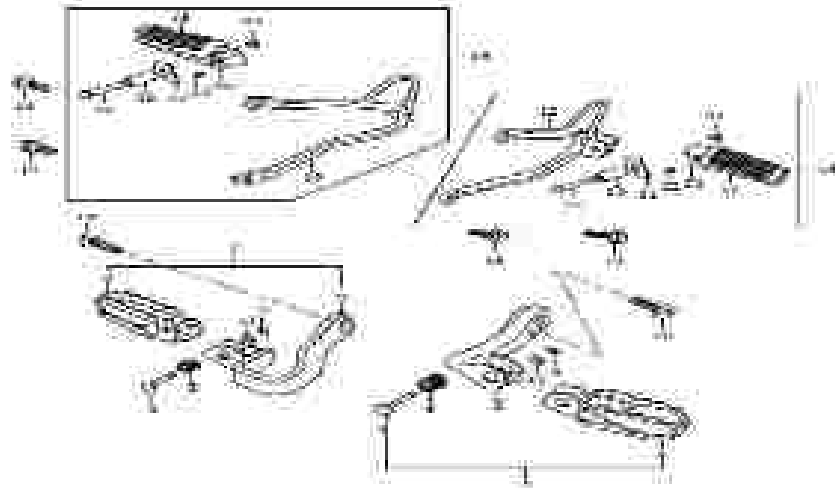
FRONT BOLT

Bolt M8x12

1

FRONT BOLT

FIG. 24A



Ref. No.	Part No.	Description	Qty	Remarks
F24-1	43530QW0255	FOOTREST	1	1500
F24-2	43500QW0255	BASKET	1	
F24-3	43540QW0255	FOOTREST	1	
F24-4	43525QW0255	PN	2	
F24-5	43510QW0200	SPRING	2	
F24-6	43575QW0255	WASHER	4	
F24-7	43500QW0255	FOOTREST	1	1500
F24-8	43510QW0255	BASKET	1	
F24-9	43530QW0255	FOOTREST	1	
F24-10	05165Q120001	Sub M3-L25x30	2	1500
F24-11	43575QW0255	WASHER	4	
F24-12	43720QW02180	BASKET	1	DO NOT SUPPLY
F24-13	43600QW02180	BASKET	1	
F24-14	051040000001	Sub M3x30	4	1500
F24-15	43700QW02180	FOOTREST	1	
F24-16	43600QW02180	FOOTREST	1	
F24-17	43710QW04000	FOOTREST	1	1500
F24-18	43610QW04000	FOOTREST	1	1500
F24-19	04008Q040001	PN	2	
F24-20	43605QW04000	SPRING	2	
F24-21	43550QW04000	WASHER	4	
F24-22	43627QW04000	SPRING	2	
F24-23	05450Q000011	Ball B	2	
F24-24	05450Q041041	Circle	2	

FIG. 25A

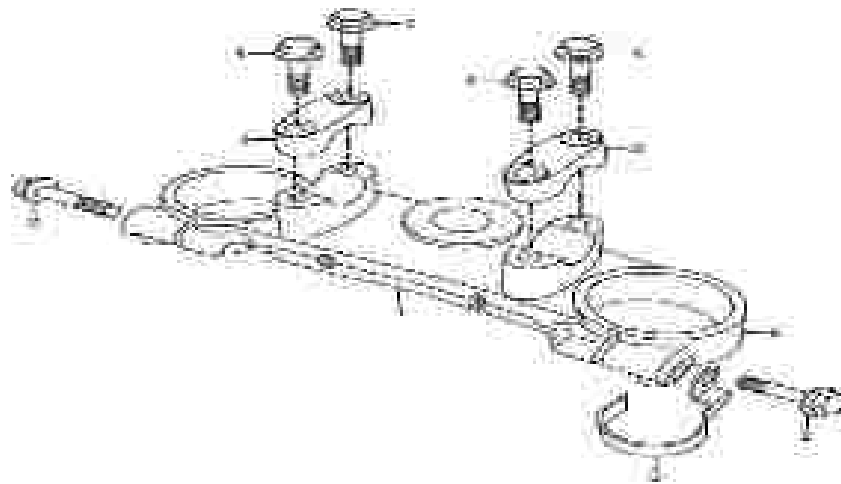


FIG. 25A

FIG. 25A

FIG. 25A

FIG. 25A

FIG. 25A

HEAD STEERING STEM

HEAD STEERING STEM

HEAD STEERING STEM

HEAD STEERING STEM

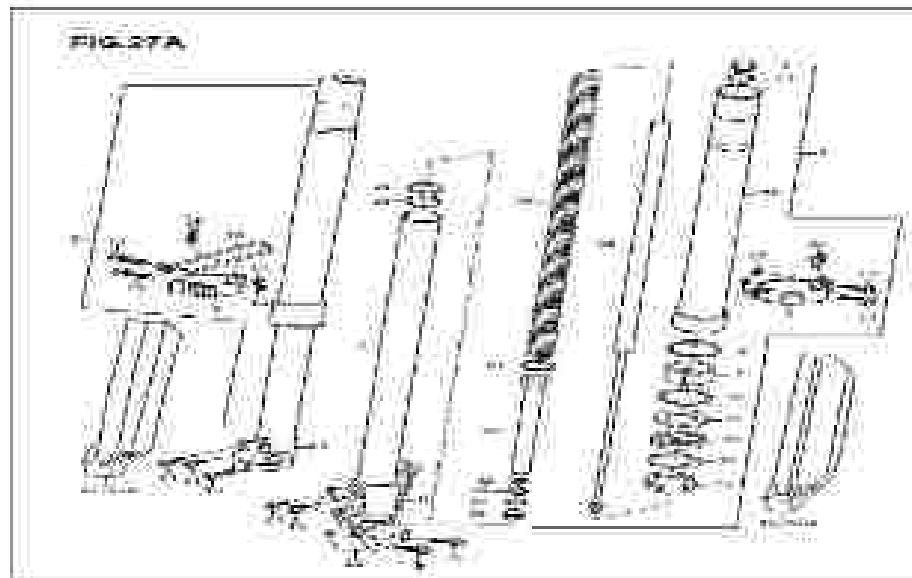
Part No.	Part No.	Description	Qty	Remarks
F25-1	333110AM0000	STEM	1	333110
F25-2	020040300452	Ball Joint	2	
F25-3	332110AM0050	STEERING KNUCKLE	2	
F25-4	021040300391	Ball Joint	2	
F25-5	334480AM0000	STEERING KNUCKLE	2	DC



FIG. 25A		F26			
FIG. 25A		STEERING STEM			
FIG. NO.	PART NO.	SYMBOL	DESCRIPTION	QTY	REMARKS
F25A-1	E24150000000	T25000	Steering stem	1	①
F25A-2	E23330000000	E23330	Nut	2	
F25A-3	E13000000000	W	Washer	2	
F25A-4	E23110000000	E23110	Nut	2	
F25A-5	E23430000000	E23430	Dust seal	2	
F25A-6	E25130000000	E25130	Spring 2200E	2	
F25A-7	E25120000000	E25120	Spring 2200E	2	
F25A-8	E23400000000	E23400	Dust cover	2	
F25A-9	E11040000401	E11040	Bolt M20x45	4	
F25A-10	E24880000000	E24880	Carriage bolt head II	2	
F25A-11	E24020000000	E24020	Bracket, reflex-reflector RH	2	
F25A-12	E24900000000	E24900	Bracket, reflex-reflector LH	2	
F25A-13	E25010000000	E25010	Reflex-reflector cone	2	②
F25A-14	E24000011000	E24000	Washer 8	2	
F25A-15	E24010011000	E24010	Nut M8	2	
F25A-16	E25010000000	E25010	Reflex-reflector cone	2	③

FRONT DAMPER

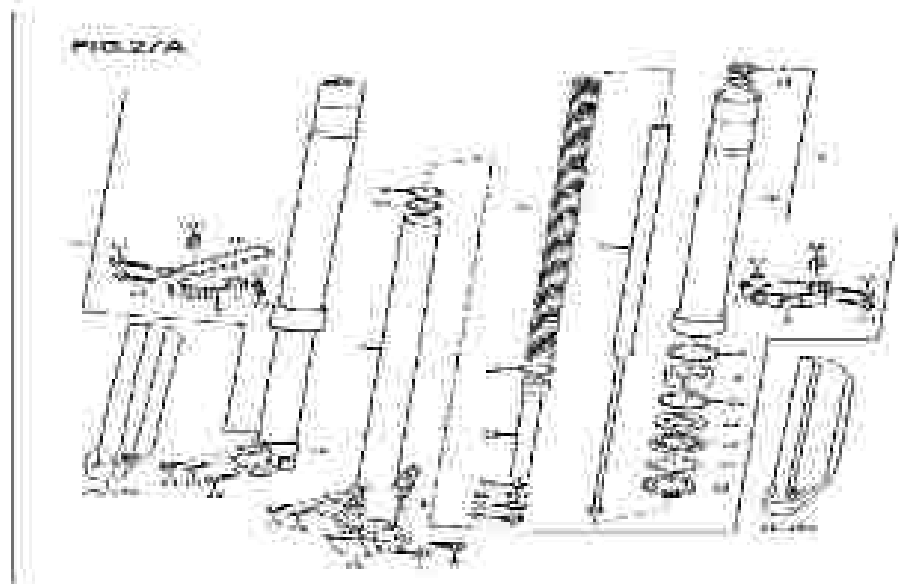
F27



品番 Part No.	品名 Part No.	説明書 Description	数量 Qty	単位 Remarks	価格 / 円 Price / Yen
F27A	E12010P/MN2050-012	FRONT DAMPER			
F27A		FRONT DAMPER			
F27A-1	E12044P/MN2050-720	FRONT FORK COMP ASSEMBLY LH	1		1064.00
F27A-2	E11009P/MN2050-721	FRONT FORK COMP ASSEMBLY RH	1		1064.00
F27A-3	E11130/MN2050	SHOULDER	2		56.40
F27A-4	E11130/MN2050	BOLT	2		17.40
F27A-5	E11450/MN2050	WASHER	2		77.20
F27A-6	E11154Q/MN2050	SEAL	2		111.60
F27A-7	E1140Q/MN2050	TUBE, LOWER LH	1		253.70
F27A-8	E11430Q/MN2050	BRACKET, SIDE	1		94.10
F27A-9	02104Q/000112	六角ボルト(M8×12)	2		1.70
F27A-10	00471Q/MN2050	カバー	1		30.30
F27A-11	00411Q/000000	六角ボルト(M8×20)	4	DL	1.70
F27A-12	00404Q/011050	六角ボルト(M8)	4		1.20
F27A-13	E1130Q/MN2050	BRACKET, FRONT WHEEL	1		94.10
F27A-14	00414Q/000110	六角ボルト(M8×12)	4		1.20
F27A-15	00411Q/000111	六角ボルト(M8×12)	2		1.30
F27A-16	E2454Q/MN2050-011	カバー		PP	30.30
F27A-16	E2454Q/MN2050-094	カバー		PP	30.30
F27A-17	E2453Q/MN2050-011	カバー			30.30
F27A-17	E2453Q/MN2050-094	カバー	1	PP	30.30
F27A-18	E1450Q/MN2050	DISC	1		4.40
F27A-19	E1117Q/MN2050	DISC	2		完全検査済み
F27A-20	E11310/MN2050	ナット	2		完全検査済み
F27A-21	E1122Q/MN2050	DISC	2		完全検査済み
F27A-22	E1139Q/MN2050	ワッシャー	2		完全検査済み

FRONT DAMPER

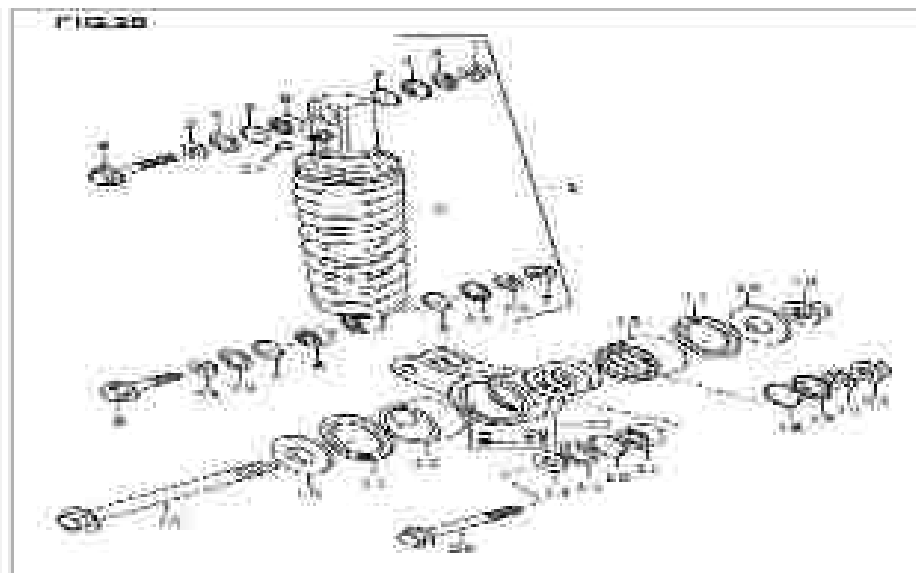
F27



F27A		FRONT DAMPER		QTY	QTY	PRICE / Pcs
Part No.	Part No.	DESCRIPTION		Remarks		(RM)
F27A-01	511330(MH2050)	ROD	Oil seal	1		111.00
F27A-04	511330(MH2050)	ROD	Ring oil seal stopper	1		4.00
F27A-05	511700(MH2050)	ROD	Rubber protector	1		10.00
F27A-06	511900(MH2050)	ROD	Sealant	1		0.00
F27A-07	511710(MH2050)	ROD	Spring	1		5.00
F27A-08	511760(MH2050)	ROD	Spacer	1		0.00
F27A-09	511830(MH2050)	ROD	Footrest, inner	1		0.00
F27A-09	511400(MH2050)	ROD	Oil	1		0.00
F27A-01	511830(MH2050)	ROD	Rubber	1		0.00
F27A-02	511400(MH2050)	ROD	O ring	1		0.00
F27A-03	511860(MH2050)	ROD	Bolt	1		0.00
F27A-04	511920(MH2050)	ROD	Sealing	1		0.00
F27A-05	511700(MH2050)	ROD	Sealing	1		0.00
F27A-08	511700(MH2050)	ROD	Washer	1		1.00

REAR SHOCK ABSORBER

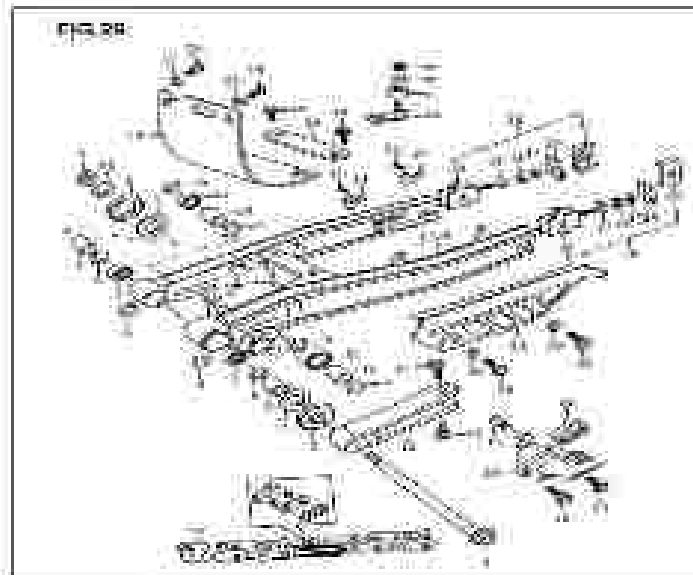
F28



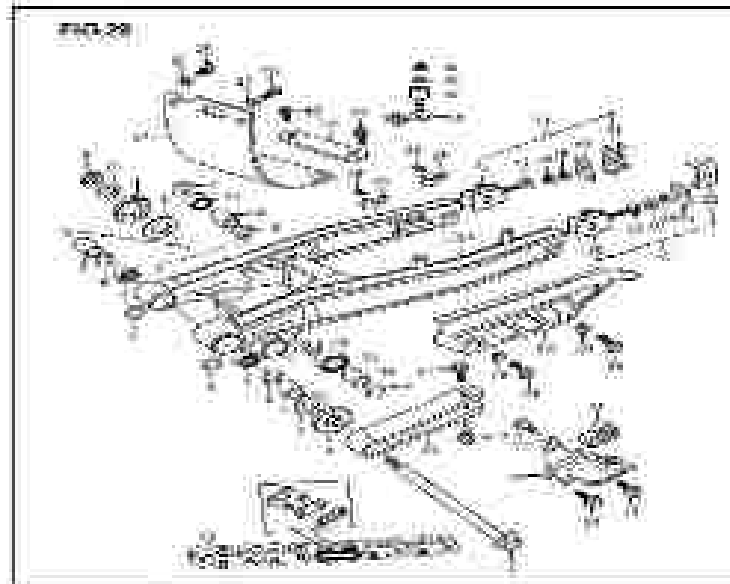
Part No.	Part No.	Description	Qty	Remarks
F28-01	620110/MH0000-001	Shock absorber	1	
F28-02	621010/MH0000-001	Shock absorber	1	
F28-03	611770/MH0000	Bolt	2	
F28-04	621780/MH0000	Oil seal	2	
F28-05	054300/0510-01	Coil spring	4	
F28-06	621780/MH0000	Bearing	2	
F28-07	054890/0110-01	Nut M10x1.25	2	
F28-08	055040/0100-01	Bolt M10x1.25x50	1	
F28-09	055040/0100-01	Bolt M10x1.25x50	2	
F28-10	051600/1500-01	Washer 15	2	
F28-11	051810/1800-01	Shim 18x45x4	2	
F28-12	613410/MH0000	Seal	1	
F28-13	051810/1800-01	Bearing 18x45x4	2	
F28-14	053010/1000-01	Bolt	2	
F28-15	051810/1800-01	Bush cover	2	
F28-16	055510/0500-01	Coil spring	2	
F28-17	058120/0000-01	Bearing 620110	1	
F28-18	612290/12010	Bolt M14x128	1	
F28-19	054090/0511-01	Nut M14x1.5	1	
F28-20	051030/1000-01	Bolt M12x55	1	
F28-21	054890/0110-01	Nut M10x1.25	1	
F28-22	612000/142000	Pinion, rear shock absorber	2	
F28-23	621870/MH0000	Bush, lever	2	
F28-24	611880/MH0000	Rubber bush II	2	
F28-25	663830/142000	Hose, valve	1	先点検してください
F28-26	612000/142000	Washer	2	先点検してください
F28-27	611210/MH0000	Cap	1	

REAR SWINGING ARM

F29

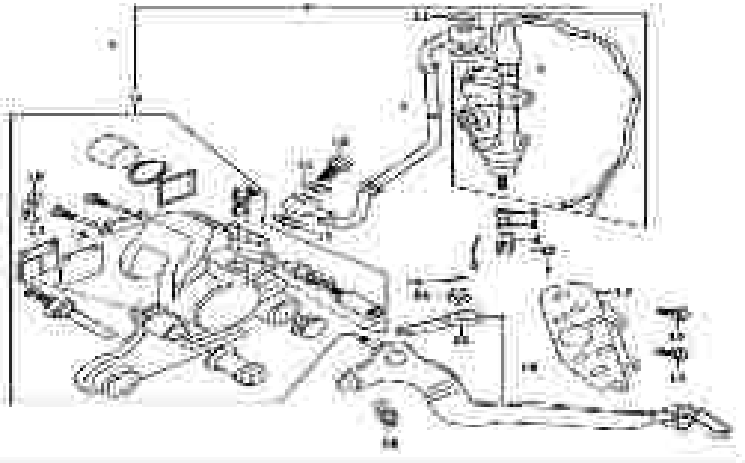


Part No.	Part No.	Description	QTY	Remarks
F29-01	81100(MH2052)	Swing arm assy. rear	1	(110)
F29-02	81110(M2052)	Shaft, swinging arm (R&L)	1	
F29-03	81200(LA2000)	Cover, shaft	2	
F29-04	81100(LA4000)	Washer	1	
F29-05	81200(MH2000)	Ball	2	
F29-06	82200(200001)	Oil seal	4	20, 20, 2, 2
F29-07	82200(200002)	Bushing	2	
F29-08	85400(81141)	Nut M14x1.5	6	
F29-09	82200(200001)	Oil seal	4	20, 20, 2, 2
F29-10	81100(LA4000)	Washer	2	
F29-11	85710(2042)	Bearing NK 20-20	2	
F29-12	81270(MH2000)	Buffer, chain	2	
F29-13	82040(8212)	Bush M8x12	7	(12)
F29-14	81040(MH2070)	Adjuster assy. R	1	
F29-15	81040(MH2070)	Adjuster assy. L	1	
F29-16	81410(MH2070)	Adjuster	2	
F29-17	85400(814001)	Washer	2	
F29-18	81410(MH2070)	Nut	2	(17, 14)
F29-19	81410(MH2070)	Nut	2	(17, 12)
F29-20	81410(MH2070)	Face	2	
F29-21	84700(MH2000)	Indicator, LH	1	804.5
F29-22	84700(MH2000)	Indicator, RH	1	811.5
F29-23	85400(81141)	Washer	8	
F29-24	81100(MH2000)	Ball, steel	1	
F29-25	82200(MH2000)	Ball	1	



F29					
599					
REAR SWINGING ARM					
Part No.	Part No.	Description	Qty	Unit	Remarks
F29-26	02504000012	SWING ARM	1	PC	599P
F29-27	03188008000	BUSH	2	PC	599P
F29-28	01801000010	SHOCK	1	PC	599P
F29-29	05129000001	BUSH	2	PC	
F29-30	01277000000	STOPPER	1	PC	
F29-31	01278000000	STOPPER	1	PC	
F29-32	01281000000	CLIP	1	PC	
F29-33	07800000010	CHAIN	1	PC	100T
F29-34	09341000010	CHAIN	1	PC	
F29-35	03817000501	SWING ARM	1	PC	599P

FIG. 30A



Ref./No.	Part No.	Description	Qty	Remarks
F30A-1	850110/MK2121	REAR DRUM	1	50
F30A-2	888000/MK2120	Cylinder assy, master	1	
F30A-3	877010/MK2120	Reservoir, brake fluid	1	
F30A-4	896450/MK2120	Nut	1	
F30A-5	854000002884	Nut MS	1	
F30A-6	896470/MK2120	Nut	1	
F30A-7	847200089231	Pin, axle	1	
F30A-8	844110189184	Cotter pin Lx28	1	
F30A-9	892800/MK2120	Hook, rear brake	1	
F30A-10	882920/MK2120	Ball 2	1	
F30A-11	892530/MK2120	Washer	4	
F30A-12	892000/MK2120	Caliper, rear brake	1	
F30A-13	891400/MK2100-B	Pad	2	
F30A-14	844110189184	Cotter pin Lx28	1	50
F30A-15	881150/MK2120	Spring, pad	1	
F30A-16	822440089142	Ball 18x28	1	50
F30A-17	898840/MK2120	Cover	1	
F30A-18	436110N42008	Pad, brake	1	
F30A-19	894400148801	Spring	1	
F30A-20	432310/MK2000	Hook, spring	1	
F30A-21	854000002884	Nut MS	1	

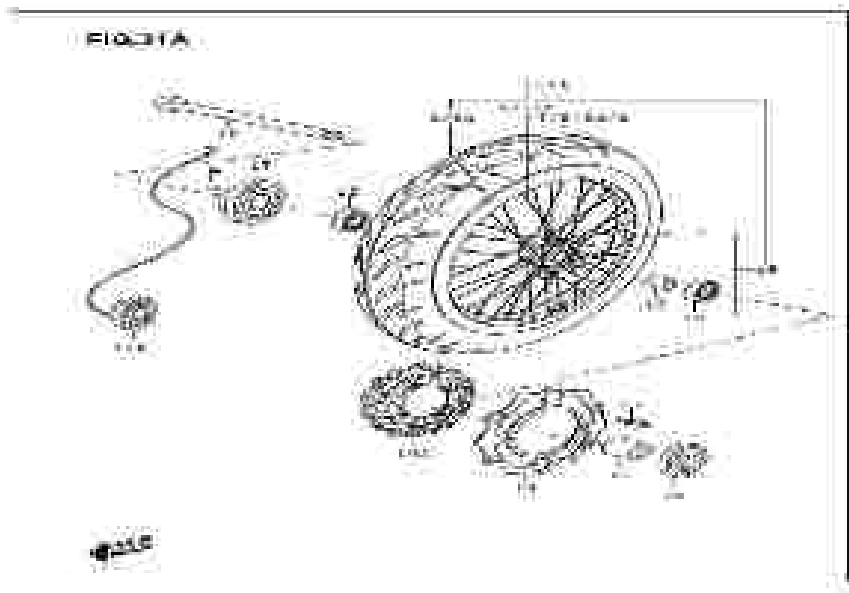


FIG. 31A	FIG. 31A	FIG. 31A	FIG. 31A	FIG. 31A
Part No.	Part No.	Description	Qty	Remarks
FIG. 31A-1	542910/MN2015-025	Front wheel	1	USE 31A-1
FIG. 31A-2	533110/MN2015-1E	Rim, front wheel	1	USE 31A-2
FIG. 31A-3	533110/MN2010	Spoke, front wheel inner	18	USE 31A-3
FIG. 31A-4	533210/MN2010	Spoke, front wheel outer	18	USE 31A-4
FIG. 31A-5	533300/MN2000	Hub	36	USE 31A-5
FIG. 31A-6	532000/MN2110	Tire assy, inner 110-70-17R-0	1	USE 31A-6
FIG. 31A-7	531100/MN2010	Tire assy, outer 110-70-17R-0	1	USE 31A-7
FIG. 31A-7-0	531000/MN2010	Tire assy, inner & outer 110-70-17R-0	1	USE 31A-7-0
FIG. 31A-8	532110/MN2010	Fiducial, inner tube	1	USE 31A-8
FIG. 31A-9	547110/LY2010	Act, front	1	USE 31A-9
FIG. 31A-10	542250/MN2010	Saver, front left	1	USE 31A-10
FIG. 31A-11	535800/000010	Bearing 6203-2RS	2	USE 31A-11
FIG. 31A-12	547310/LY2000	Saver, front wheel bearing	1	USE 31A-12
FIG. 31A-13A	534100/NA2000	Disc, front brake	1	DO NOT SUPPLY
FIG. 31A-13	534210/LY2000	SC 118-00	4	DO NOT SUPPLY
FIG. 31A-14	542250/MN2010	Oil seal	2	DO NOT SUPPLY
FIG. 31A-15	542000/MN2010	Scr assy, speedometer gear	1	USE 31A-15
FIG. 31A-16	034510/080101	Screw M5-25	1	DO NOT SUPPLY
FIG. 31A-17	542310/0300-01E	Rim assy, front wheel (PCB)	1	DO NOT SUPPLY

REAR WHEEL - ASD

F32

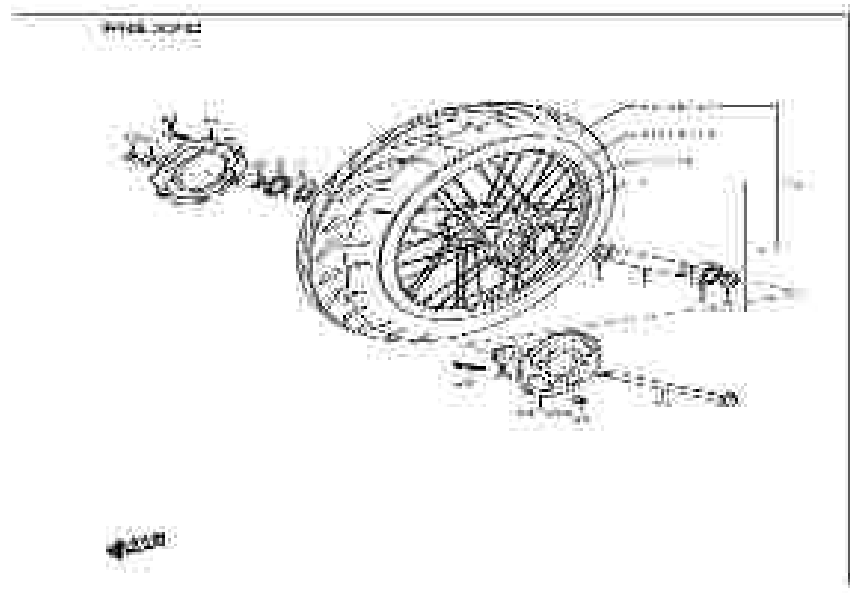


FIG	FIG	DESCRIPTION	QTY	REMARKS	
FIG NO.	Part No.	Description	Qty	Remarks	
FIG 32C-1	840410/MN2090-015	Body	Wheel, rear	1	138/70-17H/C
FIG 32C-2	840110/MN2111-01E	Spoke	Rim assy, rear wheel	2	
FIG 32C-4	840110/MN2110	Spoke	Of assy B	2	
FIG 32C-5	855700/000002	Washer	Bearing	1	8300-AB
FIG 32C-6	847320/MN2110	Support	Support	1	
FIG 32C-7	847310/MN2110	Spacer	Spacer	1	
FIG 32C-8	855700/000002	Washer	Bearing	1	8300-AB
FIG 32C-9	840110/MN2110	Spoke	Of assy C	2	
FIG 32C-10	847370/MN2110	Spacer	Spacer R, rear axle	1	
FIG 32C-11	858110/MN2010-01E	Spoke	Spk, rear wheel	2	138/70-17
FIG 32C-12	851110/MN2080	Spoke	Spoke L, rear wheel	9	138/70-17H/C
FIG 32C-13	858210/MN2080	Spoke	Spoke R, rear wheel	17	138/70-17H/C
FIG 32C-14	853260/MN2090	Hub	Hub	28	
FIG 32C-15	852000/MN2010	Tube	Tube assy, wheel inner	1	138/70-17H/C
FIG 32C-16	851100/MN2010	Tube	Tri comp, rear	1	138/70-17H/C
FIG 32C-17	851110/MN2010	Protector	Protector, inner tube	1	1750
FIG 32C-18	847500/MN2110	Spacer	Spacer L, rear axle	1	
FIG 32C-19	AC-REAR SPROCKET 17T		Sprocket, rear	1	870
FIG 32C-20	848810/MN2110	Lockwasher	Bolt M10x1.25x45	4	
FIG 32C-21	854090/001101	Nut	Nut M10x1.25	4	
FIG 32C-22	847110/MN2070	Bolt	Bolt, rear M10x174	1	
FIG 32C-23	892110/MN2110	Disc	Disc, rear brake	1	
FIG 32C-24	854210/02000	Bolt	Bolt M8x20	4	
FIG 32C-25	854200/021141	Washer	Washer 14	1	
FIG 32C-26	854090/021141	Nut	Nut M8x1.5	2	

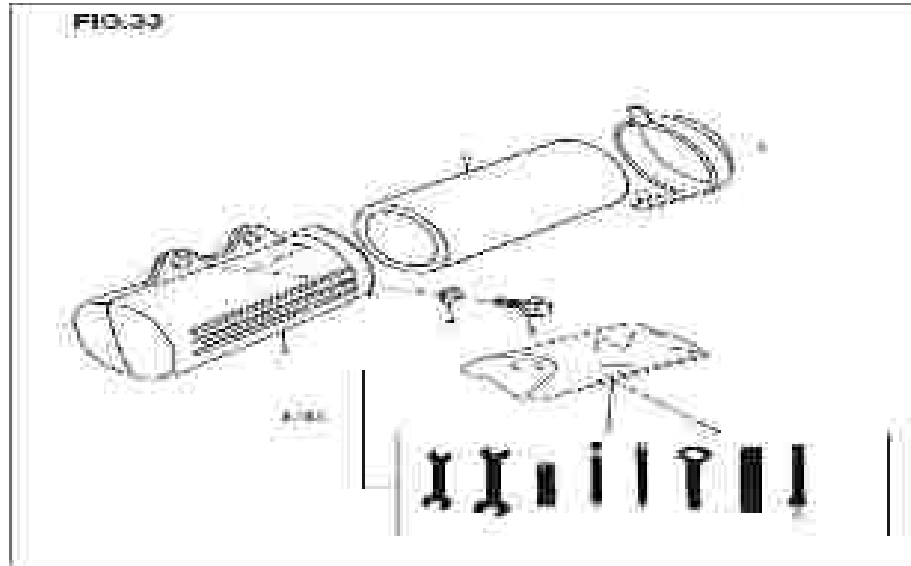


FIG. 33

83

FIG. 33

83

Ref. No.

Part No.

Part No.

品名

Kit Tools

説明書

Description

個数

Qty

注

Remarks

F33-1	474250/M2000	Cap	Tail cap	1	
F33-2	474200/M2000	Cap	Cap. tool/box	1	
F33-3	020040/M0000	Hex key/Hex	Bit M5x0.8	2	
F33-4	051250/M0011	Hex screw	Bit M5x0.8x1.5	1	total
F33-5A	999010/M2000	Cap	Tool kit	1	Kit
F33-6	474250/M2000	Cap	Custom tool	1	

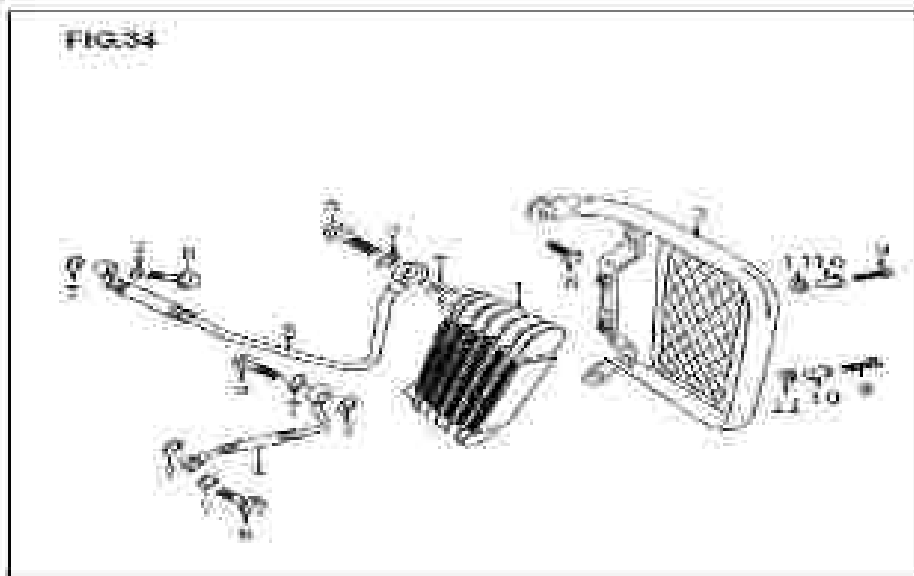


FIG. 34		F34		OIL RADIATOR ASSY	
QTY	Part No.	Description	QTY	Color	Remarks
1	188300MH2040	Oil radiator assy	1		
1	188300MH2040	Bracket oil radiator	1		
1	188300MH2040	Oil hose, intake	1		
1	188400MH2040	Oil hose, outlet	1		
1	188340MH2040	Bolt 2M12-1.25-25	1		
1	188300MH2040	Bolt 2 M14-1.25-27	1		
8	381890103802	Bracket	8		
1	020040000000	Bolt M5-05	1		
1	388300MH20000	Bolt	1		
1	081200080002	Caplet 08007	1		
1	682110MH20380WH1	Black cap	1		ORANGE
1	681110MH20380WH1	Black cap	1		GREEN

INDEX

011000060001	F05	000040060000	F6	004040060121	E11
011000060001	F15 ASD	000040060001	F6	004040060121	E11
011000060001	F16	000040060001	F7	004040060121	E10
011000060001	E12	000040060001	F17	004040060121	E12
011000060001	F4	000040060001	F20	004040060121	F18
010040060101	F17	000040060100	F20 ASD	004040060101	F11
000040060100	F20	000040060100	F30	004040060101	F21 ASD
010040060101	E10	000040060100	F34	004040060101	F11
010040060101	E06	000040060101	F4	004040060101	F11
010040060101	F7	000040060101	F10	004040060101	E14
010040060101	F10	000040060101	F1	000110000001	F27
010040060101	F10 ASD	000040060100	E01	000110000001	F27 ASD
010040060101	F17	000040060101	F6	000140060101	E08
010040060101	E10	000040060101	F8	000140060101	F6
017040060101	E03	000040060101	F34	000170060101	F20
017040060101	E11	000040060101	F10	000210060101	F6
017040060101	E10	000040060101	F10 ASD	000440060101	F11
011040060101	E04	000040060101	F8	040100000101	F7
011040060101	E14	000040060101	F8	040100000101	F7
011040060101	F17	000040060101	F10	040100000101	F10
011040060101	F27 ASD	000040060101	F17	040200000101	F6 (1ST VER)
011040060101	F10	000040060101	F17	040200000101	F6 (2ND VER)
011040060101	F10 ASD	000040060101	F17	040200000101	F10
011040060101	F11	000040100101	F17	040110010101	F10
011040060101	E04	000040100101	F20	040110020101	F11
011040060101	E04	000040100101	F17	040110030101	F10
011040060101	E10	000040100101	F20	040110040101	F6 (1ST VER)
011040060101	E01	000040100101	F20	040210040101	E10
011040060101	E04	000140060101	E09	047210060101	F11
011040060101	E04	000140060101	E09	047200060101	F10
011040060101	E04	004110040704	F6 (1ST VER)	050110000101	F17
011040060101	E04	004110060101	F10	054010011004	F4
011040060101	E03	004110020101	F27	054010021004	F10
011040060101	E03	004110050101	F27 ASD	054010011004	F10
011040060101	E03	004110040101	F10 ASD	054010011004	F10
011040060101	F20	004110030101	F10	054030011004	E00
011040060101	F20	004110020101	F10	054040011004	E00
020040060101	E06	004100050000	F11	054040011004	F27
020040060101	F4	004100050101	F27	054040011004	F27 ASD
020040060101	F10	004100050101	F27 ASD	054000011005	E09
020040060101	F20	004100060101	E09	054000041005	F10
020040060101	F6	004100060101	E11	054000041005	F10 ASD
020040060101	F6	004100050101	E09	054000021002	F17
020040060101	F10 (2ND VER)	004100050101	E10	054000011001	F10
020040060101	F20	004100050001	E14	054000011001	E00
020040060101	F20	004210000001	F10	054000011001	F20
020040060101	F30	004210000100	F10 ASD	054000011001	F10
020040060101	F4	004210000101	F10	054000011001	F10 ASD

INDEX

054000101101	F17	050300000005	F20	001000100002	F0
054000101102	F10	050300000008	F20	001200100003	E14
054000101103	F10	057140000040	F20	001000100002	E13
054000101104	F12 ASD	050300000012	F20	001000140002	F20
054000101105	F10	071000000011	F0 (1ST VER)	001000100002	F20
054110011001	F11	071000000011	F0 (2ND VER)	001000100011	E10
054000110001	F0 (1ST VER)	071000000711	F10	001000100007	E10
054000110001	F0 (2ND VER)	071000011111	F0 (1ST VER)	001000170004	E10
054000110044	F0 (1ST VER)	071000011111	F0 (2ND VER)	001000000000	E10
054000110004	F0	071000011111	F10	00010100001	E01
054000110004	F10	071110010101	F7	001040100000	E07
054000110004	F4	071140012500	F0	001000100001	E00
054000110004	F10	001000000000	E07	001470000000	E11
054000110004	F10	001000000013	E12	001000000011	F10
054000110001	F10	001000100003	F17	001000000007	E02
054000021004	F10	001000120000	F20	001000000007	E07
054000011141	F20	001000120001	F14	001000000010	E04
054000021141	F10	001000000011	E02	001000000000	E00
054000011141	F12 ASD	001000000004	E02	001000000007	E01
054000020001	E00	001000000003	E02	001000100001	E04
054000041001	F7	001000000001	E10	001000100001	F04
054000051001	F10	001040000000	F14	001000100001	E04
054000091001	F14 ASD	001040000000	F10	001000100001	E00
054000051001	F17	001040000000	F10 ASD	001000100001	E10
054000091001	F10	001040000010	F14 ASD	001000100001	F20
054000051001	F12 ASD	001040000017	F10	001000000001	F00
054000091001	F0	001040000024	F10	001000000001	F00
054000010001	F11	001040000034	F10 ASD	001000000002	F10
054000071001	F0	001040000007	E10	001000000000	F14 ASD
054110011000	F0	001000004001	E14	001000000002	F10
054110011000	F11	001000040010	F0 (1ST VER)	001000000002	F10 ASD
054110011004	F10	001000040010	F0 (2ND VER)	001000000000	F10 (1ST VER)
054110011000	F0	001000040010	F10 (1ST VER)	001000000000	F20
054110011004	F4	001000000000	E07	001000000000	F20
054000011100	E10	001000000000	E14	001000000000	F10
054000021000	E11	001000000000	E10	001000000000	F10 ASD
054000041001	F14	001000100000	E12	001000000011	F00
054000051001	F10	001000100001	E00	001000000012	F10
054000000100	E14	001000000001	F14	001000000007	F21
054000000011	F14	001000000001	F14 ASD	001000100000	E10
055100000001	E11	001000000001	F10	001000100001	E00
055000000000	E11	001000000001	F10 ASD	001000140001	F20
055700000000	F10	001000000004	F10	001010000001	E10
055700000000	F10 ASD	001000000004	F17	001010100000	E10
055700000000	F12 ASD	001000000004	F20	001000100007	E11
055700000000	F11 ASD	001000000000	E04	001010100007	E11
055000000000	F11	001000000004	E01	001010000000	E10
055000000000	F11 ASD	001000100001	F10	001010000011	E10

INDEX

091110000004	E11	093310090004	F14 450	096300011204	F10
090010040001	E11	093310100001	F16	111000007010-009	E01
090020090001	E07	093310090001	F17	111410007010	E01
090120090001	E12	093300090001	F12 011 000	111510000000	E01
090000090004	E12	093300090001	F8	1115100001000	E02
090000090004	E11	093300090001	F10	111700000000-009	E01
090000090001	E04	093300090001	F14	111100007010-009	E00
090000111001	E11	093300090001	F14 450	1114100007000	E00
090000110004	E02	093300090001	F17	113000007010-009	E00
090000110001	E10	093300090001	F22	111290001000	E00
090000110001	E04	093300090001	F22 450	111400007010-009	E04
090000100004	E04	093300090001	F24	113510000000-009	E04
090000090001	F14	093300090001	F19	111510000000-009	E04
090410000001	E01	093300090001	F10	113000007010-009	E04
090470100001	E04	093300090001	F14 450	114000000000	E04
090470140001	E04	093300100001	F21	114000000000	E04
090470140004	E09	093300100001	F21	115710000000	E04
090470140001	E11	093300000001	F19	111110007000	E06
090000100001	E04	093300100001	E03	121400007010	E06
090010000001	E09	093300100001	E10	111510007000	E06
090000100001	E11	093310100001	E05	120000007000	E06
090000100001	E05	093310100001	F16	116000007000	E06
090000100001	E05	093300090001	E09	118110007000	E06
090000100001	E10	093300100001	E07	120000007010	E06
090000100001	E11	094010000001	F19	127110007000	E07
090000100001	F19	094010100001	F19	117410000000	E07
090000100001	F28	094010100001	F2	1274700001000	E07
090000090001	E07	094010100001	E01	127000007000	E06
090000100001	E09	094010090001	E01	127710007000	E06
090000100001	E04	094010090001	F17	128110007000	E06
090000110001	E11	094070100001	F11	128200000000-009	E06
090000100001	E04	094070100001	F12 450	118000007000-009	E06
090000100001	E11	094070100001	F8	128700000000	E06
090000100001	E12	094070100001	F5	1184000001000	E07
090000100001	E11	094070100001	F5	128110000000	E07
090000100001	E11	094220000001	E06	129110007000	E07
090000100001	E06	094400000001	E12	129110007000	E07
090000100001	E09	094400000001	E11	1291100001010	E07
090000100001	E05	094400000001	E10	1292000001010	E07
090000100001	E10	094400000001	E09	1292100001010	E07
090000100001	E11	094400000001	E06	1293000001010	E07
090000100001	E10	094400000001	E11	1293000001010	E07
090000100001	F29	094400000001	F30	131110007000	E01
090000100001	E11	094440000001	E11	112000007000	E15
090000100001	F28	094800000001	E01	132470007000	E15
090000100001	F19	094810000001	E15	112500007000	E15
090000040001	E11	094800000001	E15	132540007000	E15
090000090001	E07	096000000001	F17	132700007000	E15

INDEX

13340QW07000	E1E	11451QW07000	E1A	32101QW07000	E3A
13370QW07000	E1E	11460QW01000	E1B	32105QW07000	E3A
13380QW07000	E1E	11464QW01000	E1B	32361QLA2000	F4
13515QW07000	E1E	11117QW01000	E1B	32400QW01000	E3A
13660QW07000	E1E	15110QW01000	E1B	32400QW01000	E3A
13700QW07000	F1	11110QW01000	E1B	32810QW02000	F6
13751QW07000	F1	23110QW01000	E1B	32815QW02000	F6
13760QW07000	F1	11110QW01000-38E	E1B	32817QW02000	F6
13781QW07000	F1	23271QW01000	E1B	32840QAF0000	F7
13791QW07000	F1	24000QW07000	E11	32840QAF2000	F10
13810QW07000	F1	14120QW07000	E11	32845QAF2000	F10
13820QLA2000	F1	14110QW07000	E11	32845QAF2000	F10, B30
13850QW02000	F1	24120QW07000	E11	32845QW02000	F6
13884QK011000	E08	24321QW07000	E11	32850QW02000	F6
13877QW02000	F1	24341QW07000	E11	32850QW02000	F13
13878QW02000	F1	24351QW07000	E11	32850QW02000	E17
13881QW07000	F1	24710QW01000	E11	32850QW02000	F23
13888QW02000	F1	24741QW01000	E11	32850QW02000	F22, B30
13990QW02000	F1	24751QW01000	E11	32850QW02000	F34
14150QW02070	F1	15211QW07000	E11	32810QL10000	F6
14181QW07000	F1	15221QW07000	E11	32880QW01000	E08
14186QW03000	F1	15231QW07000	E11	32891QW03000	F4
14190QW02000	F1	25310QW07000	E11	34011QW02000	F7
14471QW02000	F1	15310QW01000	E11	34110QW02000	F7
14472QW02000	F1	15320QW01000	E11	34114QW02000	F7
14478QW07000	F1	15314QW01000	E11	34170QW02000	F7
14479QW02000	F1	15331QW01000	E11	34180QW02000	F7
14771QW02000	F1	15341QW01000	E11	34250QW02000	F7
163210W07000	E0E	15350QW07000	E11	34810QW02000	F7
16331QW011000	E0E	15381QW07000	E11	34890QL12000	F7
16400QK011000	E0E	15411QW01000	E11	35010QW02000	F6 (1ST VER.)
16810QK011000	E0E	15421QW01000	E11	35010QW02000	F6 (2ND VER.)
16810QW011000-30E	E0E	15510QW01000	E11	35010QW02000	F6 (1ST VER.)
16814QK011000	E0E	15671QW01000	E11	35010QW02000	F6 (2ND VER.)
16820QW011000	E0E	15911QW01000	E1A	35070QW02000	F10
16825QK011000	E0E	15912QW01000	E1B	35075QW02000	F10
16811QW02140	F14	15921QW01000	E1A	35081QA2000	F26
16830QW02140	F14	15931QW01000	E1A	35101QW02000	F6 (1ST VER.)
16890QW02140	F14	15932QW01000	E1A	35101QW02000	F6 (2ND VER.)
16833QW02140	F14	15930QW01000	E1B	35117QW02000	F6 (1ST VER.)
16834QW02140	F14	15940QW01000	E1B	35117QW02000	F6 (2ND VER.)
16640QW02140	F14	16040QW01000	E11	35157QW02000	F6 (1ST VER.)
21110QW07000	E0E	16900QW02000	E1E	35190QW02000	F6 (1ST VER.)
21115QW07000	E11	17510QW07000	E11	35195QW02000	F6 (1ST VER.)
21200QW07000	E1B	17600QW02000	F2E	35234QW02000	F6 (1ST VER.)
21250QW011000	E1B	11100QW07000	E11	35254QW02000	F6 (2ND VER.)
21411QW07000	E1B	11800QLN0000	F4	35601QW02000	F6
21441QW011000	E1E	12100QW01000	E1A	35601QW02000	F6

INDEX

35630QMN2000	F9	43530QMN2050	F24	47430QMN2000	F23
35640QMN2000	F9	43540QMN2050	F24	47480QMN2000	F23
35820QMN2010	F9	435710MN2000	F24	48120QMN2000	F26
35830QMN2010	F9	435750MN2000	F24	48210QMN2000	F27
357010QMN2000	F24	435790MN2000	F24	48500QMN2000	F26
35710QMN2000	F24	43620QMN2010	F24	51010QMN2010-002	F27
35720QMN2000	F24	436210QMN2000	F24	510110MN2010-702	F27 ASD
35740QMN2000	F24	436200QMN2180	F24	511070MN2050-702	F27
357810QMN2000	F24	436260QMN2000	F24	511000MN2050-702	F27 ASD
35780QMN2000	F24	436260QMN2000	F24	511040MN2050-702	F27
355010QMN2000	F24	436270QMN2000	F24	511040QMN2050-702	F27 ASD
35600QMN2000	F24	437000MN2180	F24	51100QMN2000	F27
35610QMN2000	F24	437110QMN2000	F24	511000QMN2000	F27 ASD
35610QMN2000	F24	437200QMN2180	F24	51110QMN2000	F27
35610QMN2000	F24	440200QMN2050	F9	511100QMN2000	F27 ASD
356810MN2170	F9	441100QMN2000		511170QMN2000	F27
356400LIT000	F9	442000QMN2000	F24	511170QMN2000	F27 ASD
356510QMN2000	F9	441100QMN2000-094	F24	511200QMN2000	F27
370110QMN2050	F9	442000QMN2000	F24	511200QMN2000	F27 ASD
370150QMN2050	F9	442200QMN2000	F24	511200QMN2000	F27
371500QMN2050-B	F9	443200QMN2000	F24	511200QMN2000	F27 ASD
372000LY2000	F11	443400QMN2000	F24	511310QMN2000	F27
374000QMN2000	F24	443200QMN2000	F24	511330QMN2000	F27 ASD
377010QMN2100	F24	443150QMN2000	F24	511330QMN2000	F27
377000QMN2000	F24	443170QMN2000	F24	511330QMN2000	F27 ASD
378000LY2000	F24	443410QMN2000	F24	511400QMN2000	F27
388010QMN2000	F9	443400QMN2000	F24	511400QMN2000	F27 ASD
388000QMN2000	F4	451010QMN2000-001	F20	511400QMN2000	F27
388000QMN2000	F4	451100QMN2000	F20	511400QMN2000	F27 ASD
388210QMN2000	F4	454110QMN2000	F21	511400QMN2000	F27
411000QMN2140-011	F27	454410QMN2000	F21	511480QMN2000	F27 ASD
412900QMN2000	F27	471110QMN2010-000	F15 ASD	511480QMN2000	F27
413000QMN2000	F9	471110QMN2000-001	F15	511480QMN2000	F27 ASD
415400QMN2000	F9	471130QMN2000	F15	511500QMN2000	F27
415500LY2000	F9	471130QMN2000	F15 ASD	511500QMN2000	F27 ASD
415600QMN2000	F27	471110QMN2010-000	F15 ASD	511500QMN2000	F27
415910QMN2000	F27	471110QMN2000-001	F15	511500QMN2000	F27 ASD
420100QMN2000	F26	472100QMN2000	F18	511540QMN2000	F27
420100LY2000	F26	472100QMN2000	F18 ASD	511540QMN2000	F27 ASD
420300LY2010	F26	473070QMN2000-011	F18	511590QMN2000	F27
420300QMN2000	F26	473170QMN2010-000	F18 ASD	511590QMN2000	F27 ASD
430110QMN2000	F26	473400QMN2010-000	F14 ASD	511590QMN2000	F27
430310QMN2000	F26	473450QMN2000-004	F14	511590QMN2000	F27 ASD
430500QMN2000	F24	473430QMN2000-111	F14	511600QMN2000	F27
430500QMN2000	F24	473460QMN2010-000	F14 ASD	511600QMN2000	F27 ASD
430510QMN2000	F24	473480QMN2000-004	F14	511710QMN2000	F27
430500QMN2050	F24	473490QMN2000-111	F14	511710QMN2000	F27 ASD
430500QMN2050	F24	474010QMN2000	F23	511720QMN2000	F27

INDEX

51170Q/MK2050	F27 ASD	54550Q/MK2000	F21 ASD	59301Q/MK2010	F11
51170Q/MK2050	F27	55100Q/MK2010	F21 ASD	59301Q/MK2030	F11
51170Q/MK2050	F27 ASD	55100Q/Y2000	F21	59302Q/MK2010	F12 ASD
51170Q/MK2050	F27	55100Q/MK2010	F21 ASD	59310Q/MK2030	F12
51170Q/MK2050	F27 ASD	59200Q/Y2000	F21	59332Q/MK1000	F11
51180Q/MK2050	F27	55200Q/MK2010	F21 ASD	59332Q/MK2000	F12 ASD
51180Q/MK2050	F27 ASD	55210Q/Y2000	F21	59330Q/MK2030	F12
51180Q/MK2050	F27	55110Q/MK2010	F21 ASD	59300Q/MK2010	F12 ASD
51180Q/MK2050	F27 ASD	55210Q/MK2010	F21 ASD	59310Q/MK2000	F12
51210Q/MK2010	F25	55110Q/Y2010-022	F21	59115Q/MK2000	F12 ASD
51250Q/MK2050	F26	55310Q/MK2010-15	F21 ASD	59330Q/MK2000	F11
51250Q/MK2050	F26	59310Q/MK2010	F21 ASD	59330Q/MK2000	F12 ASD
51210Q/MK2050	F26	55310Q/MK2000	F21	59140Q/MK2000	F12
51450Q/MK2050	F27	55320Q/MK2010	F21 ASD	59340Q/MK2000	F12 ASD
51450Q/MK2050	F27 ASD	55320Q/MK2000	F21	59410Q/MK2000	F12 ASD
51480Q/MK2050	F26	55320Q/MK2000	F21	59410Q/MK2000	F21
51490Q/MK2050	F26	55320Q/MK2000	F21 ASD	59420Q/Y2000	F21
51520Q/MK2050	F27	55320Q/MK2000	F21	59420Q/Y2000	F12 ASD
51520Q/MK2050	F27 ASD	59320Q/MK2000	F21 ASD	59420Q/Y2000	F21
51530Q/MK2000	F21 (EST VER)	59520Q/MK2000	F21	59420Q/Y2000	F21 ASD
51570Q/MK2050	F27	56120Q/Y2000	F21	59440Q/MK2000	F25
51570Q/MK2050	F27 ASD	56110Q/MK2050	F25	59430Q/MK2000	F26
51590Q/MK2050	F26	59530Q/MK2000	F21	59470Q/MK2030	F27
51640Q/MK2000	F26	59520Q/MK2000	F21	59470Q/MK2030	F27 ASD
51640Q/MK2050	F26	59520Q/MK2000	F21	59480Q/Y2000	F12
51650Q/MK2010-081	F27 ASD	59540Q/MK2000	F21	59480Q/MK2000	F12 ASD
51650Q/MK2050-094	F27	59530Q/MK2000	F21	59480Q/MK2000	F12
51650Q/MK2050-111	F27	57110Q/MK2000	F21	59480Q/MK2000	F12 ASD
51650Q/MK2010-082	F27 ASD	57170Q/MK2000	F21	59480Q/MK2000	F12
51650Q/MK2050-094	F27	57170Q/MK2000	F21	59480Q/MK2000	F12 ASD
51650Q/MK2050-111	F27	57110Q/MK2000	F21	59480Q/MK2000	F11
51650Q/MK2050-094	F27	57110Q/MK2000	F21	59480Q/MK2000	F12 ASD
51650Q/MK2050-111	F27	57420Q/MK2000	F21	59480Q/MK2000	F12
51650Q/MK2050-08E	F27 ASD	57420Q/MK2000	F21 ASD	59480Q/MK2000	F12 ASD
51650Q/MK2050-015	F21	57430Q/MK2000	F21	59480Q/MK2000	F11
51650Q/MK2050-015	F21 ASD	57430Q/MK2000	F21	59480Q/MK2000	F12 ASD
51650Q/MK2050-022	F21	57460Q/MK2000	F21	59480Q/MK2000	F12
51650Q/MK2050	F21	57460Q/MK2000	F21 ASD	59480Q/MK2000	F12 ASD
51650Q/MK2050	F21 ASD	57500Q/MK2000	F21	59480Q/MK2000	F12
51650Q/MK2050	F21 ASD	57510Q/MK2000	F21	59480Q/MK2000	F12 ASD
51650Q/MK2050	F21	57540Q/MK2000	F21	59480Q/MK2000	F12
51710Q/Y2000	F21	57540Q/MK2000	F21	59480Q/MK2000	F12
51710Q/Y2010	F21 ASD	57550Q/MK2000	F21	59480Q/MK2000	F12
51710Q/Y2000	F21	57520Q/MK2000	F21	59480Q/MK2000	F12
51710Q/Y2000	F21 ASD	59500Q/MK2000	F21	59480Q/MK2000	F12
51650Q/MK2000	F21	58340Q/MK1000	F21	59480Q/Y2000	F26

INDEX

81130QMH2000	F26	84811QMHZ130	F32	88151QMH20440WNY1	STICKER KTN
81130QMH2000	F38	84811QMHZ130	F32 ASD		
81241QMHZ000	F28	84813QMHZ130	F32	88151QMH20540WNY1	STICKER WTD
81251QMHZ000	F28	84813QMHZ130	F32 ASD		
81280QAZ000	F29	85150QLY2000	F32	88151QMH20840WNY1	STICKER WTD
81270QMHZ000	F29	85110QMHZ015	F32 ASD		
81274QMHZ000	F17	85200QOY2000	F32	88181QMH20380WNY1	STICKER KTN
81276QMHZ000	F29	85200QMHZ015	F32 ASD		
81277QMHZ000	F29	85211QLY2000	F32	88181QMH20380WNY1	STICKER KTN
81211QMHZ000	F28	85311QMHZ010-015	F32 ASD		
81410QMHZ070	F29	85310QAZ000-020	F32	88181QMH20440WNY1	STICKER KTN
81421QMHZ070	F29	85310QMHZ090	F32 ASD		
81430QMHZ070	F29	85310QMHZ130	F32	88181QMH20540WNY1	STICKER WTD
81433QMHZ070	F29	85311QMHZ130	F32		
82011QMH2000-022	F28	85320QMHZ090	F32 ASD	88191QMH20040WNY1	STICKER WTD
82101QMH2000-022	F28	85500QAZ000	F29		
82111QMH2000	F28	85111QMH20380WNY1	STICKER KTN	88111QMH20380WNY1	STICKER KTN
82176QMH2000	F28				
82177QMH2000	F26	85111QMH20380WNY1	STICKER KTN	88111QMH20380WNY1	STICKER KTN
82178QMH2000	F28				
821E7QMH2000	F38	85111QMH20540WNY1	STICKER WTD	88111QMH20580WNY1	STICKER KTN
821E8QMH2000	F38				
82111QMH2000	F28	85211QMH20840WNY1	STICKER WTD	88111QMH20840WNY1	STICKER WTD
82120QMH2000	F38				
821E9QMH2000	F38	85211QMH20380WNY1	F34	88111QMH21540WCH0	STICKER WTD
82119QMH2000	F28				
83411QAF2000	F38	85211QMH20380WNY1	F34	88451QMH20080WNY1	STICKER WTD
83411QAF2000	F28 ASD				
84011QMHZ115-015	F32 ASD	88111QMH20380WNY1	F29	88451QMH20380WNY1	STICKER KTN
84011QMHZ115-017	F32				
84091QMH2000-015	F32 ASD	88111QMH20440WNY1	F29	88451QMH20380WNY1	STICKER KTN
84091QMH2000-017	F32				
84511QMH2000	F32	88111QMH20540WNY1	F29	88451QMH20440WNY1	STICKER KTN
84511QMH2000	F32 ASD				
84621QMHZ130	F32	88111QMH20840WNY1	F29	88451QMH20540WNY1	STICKER WTD
84680QMHZ130	F32 ASD				
84711QMHZ070	F32	88121QMH20380WNY1	F29	88511QMH20380WNY1	STICKER KTN
84711QMHZ070	F32 ASD				
84721QMHZ130	F32	88121QMH20440WNY1	F29	88511QMH20380WNY1	STICKER KTN
84731QMHZ130	F32 ASD				
84732QMHZ130	F32	88111QMH20540WNY1	F29	88511QMH20580WNY1	STICKER KTN
84732QMHZ130	F32 ASD				
8473EQMHZ130	F32	88121QMH20540WNY1	F29	88511QMH20540WNY1	STICKER WTD
84717QMHZ130	F32 ASD				
84730QMHZ130	F32 ASD	88121QMH20380WNY1	STICKER KTN	88511QMH20540WNY1	STICKER WTD
84751QMHZ130	F32				
84780QMH2000	F29	88130QMH20380WNY1	STICKER KTN	88511QMH20380WNY1	STICKER KTN
84790QMH2000	F29				

INDEX

8811Q/MN2058/MWY1	STICKER KTA	8915Q/MN2110	F30		
		8914Q/MN2110	F30		
8811Q/MN2044/MWY1	STICKER KTH	8921Q/MN2110	F30		
		8921Q/MN2110	F30 ASD		
8811Q/MN2054Q/MWY1	STICKER MTD	8944Q/MN2110	F30		
		8929Q/MN2110	F30		
8811Q/MN2054Q/MWY1	STICKER MTD	8929Q/MN2110	F30		
		8929Q/MN2110	F30		
8812Q/MN2038Q/MWY1	STICKER KTH	8960Q/MN2110	F30		
		8945Q/MN2110	F30		
8812Q/MN2038/MWY1	STICKER KTH	8947Q/MN2110	F30		
		8969Q/MN2110	F30		
8812Q/MN2044/MWY1	STICKER KTH	8921Q/MN2000	EM		
		94411Q/Y1250-084	F30 (NEW VER)		
8812Q/MN2054Q/MWY1	STICKER MTD	94411Q/Y1250-094	F30 ASD		
		94411Q/Y1250-111	F30 (NEW VER)		
8812Q/MN2054Q/MWY1	STICKER MTD	94411Q/Y1250-111	F30 ASD		
		94411Q/MN2000	F30 (OLD VER)		
8812Q/MN2058/MWY1	STICKER KTH	94411Q/MN2010-058	F30 ASD		
		94457Q/MN2000	F30 (OLD VER)		
8812Q/MN2058/MWY1	STICKER KTH	94518Q/MN2010	F30 (NEW VER)		
		94518Q/MN2010	F30 ASD		
8812Q/MN2058/MWY1	STICKER KTH	94521Q/Y12000	F30 (OLD VER)		
		95062Q/MN2000	F30		
8812Q/MN2054Q/MWY1	STICKER MTD				
8812Q/MN2058/MWY1	STICKER KTH				
8812Q/MN2038Q/MWY1	STICKER KTH				
8812Q/MN2038Q/MWY1	STICKER KTH				
8812Q/MN2038/MWY1	STICKER KTH				
8812Q/MN2054Q/MWY1	STICKER MTD				
8812Q/MN2054Q/MWY1	STICKER MTD				
8812Q/MN2058/MWY1	STICKER KTH				
8812Q/MN2058/MWY1	STICKER KTH				
8812Q/MN2058/MWY1	STICKER KTH				
8812Q/MN2038/MWY1	STICKER MTD				
8812Q/MN2038/MWY1	STICKER MTD				
8901Q/MN2110	F30				
8910Q/MN2110	F30				

KTN - SUPERMORTAD

17" FRONT

PART NO	PART NAME	QTY
55321QMN2010	Spoke, front wheel inner	18
55322QMN2010	Spoke, front wheel outer	18
55328QMN2000	Nipple	36
TOTAL		

17" REAR

PART NO	PART NAME	QTY
65332QMN2090	Spoke L, rear wheel	9
65321QMN2090	Spoke R, rear wheel	27
55328QMN2000	Nipple	36
TOTAL		

STICKER ASSY

QM2000Y-B(A&D)---RED

PART NO.	PART NAME	Description	QTY
880110MM208A0WMP1	8801 零件完成品	Sticker Assy, No.0580	
888110MM208A0WMP1	右侧后罩贴花 (1)	Right Sticker, Fuel Tank Cover(1)	1
888110MM208A0WMP1	左侧后罩贴花 (1)	Left Sticker, Fuel Tank Cover(1)	1
881410MM208A0WMP1	后罩贴花 (1)	Sticker, Cover LH body(1)	1
881510MM208A0WMP1	后罩贴花 (1)	Sticker, Cover RH body(1)	1
888110MM208A0WMP1	右侧及右贴花 (1)	Right Sticker: Side(1)	1
884510MM208A0WMP1	后罩贴花 (1)	Sticker, Tail Cover(1)	1
888670MM208A0WMP1	英文后罩贴花 (左) (1)	Left Sticker, Front Fork Cover(1)	1
888680MM208A0WMP1	英文后罩贴花 (右) (1)	Right Sticker, Front Fork Cover(1)	1
888330MM208B0WMP1	后座脚踏板贴花 (1)	Letter Sticker, Rear Footler	1
884110MM215A0WCH8	右侧前罩贴花 (1)	Right Sticker, Front Fender	1

QM2000Y-B(A&D)---YELLOW

PART NO.	PART NAME	Description	QTY
880110MM208A0WMP1	8801 零件完成品	Sticker Assy, No.0580	
888110MM208A0WMP1	(2片) 右侧后罩贴花 (1)	Right Sticker, Fuel Tank Cover(1)	1
888110MM208A0WMP1	(2片) 左侧后罩贴花 (1)	Left Sticker, Fuel Tank Cover(1)	1
881410MM208A 0WMP1	后罩贴花 (1)	Sticker, Cover LH body(1)	1
881510MM208A 0WMP1	后罩贴花 (1)	Sticker, Cover RH body(1)	1
888110MM208A0WMP1	右侧及右贴花 (1)	Right Sticker: Side(1)	1
884510MM208080WMP1	后罩贴花 (1)	Sticker, Tail Cover(1)	1
888670MM208A0WMP1	英文后罩贴花 (左) (1)	Left Sticker, Front Fork Cover(1)	1
888680MM208B0WMP1	后座脚踏板贴花 (1)	Letter Sticker, Rear Footler	1
884110MM208A0WMP1	右侧前罩贴花 (1)	Right Sticker, Front Fender	1